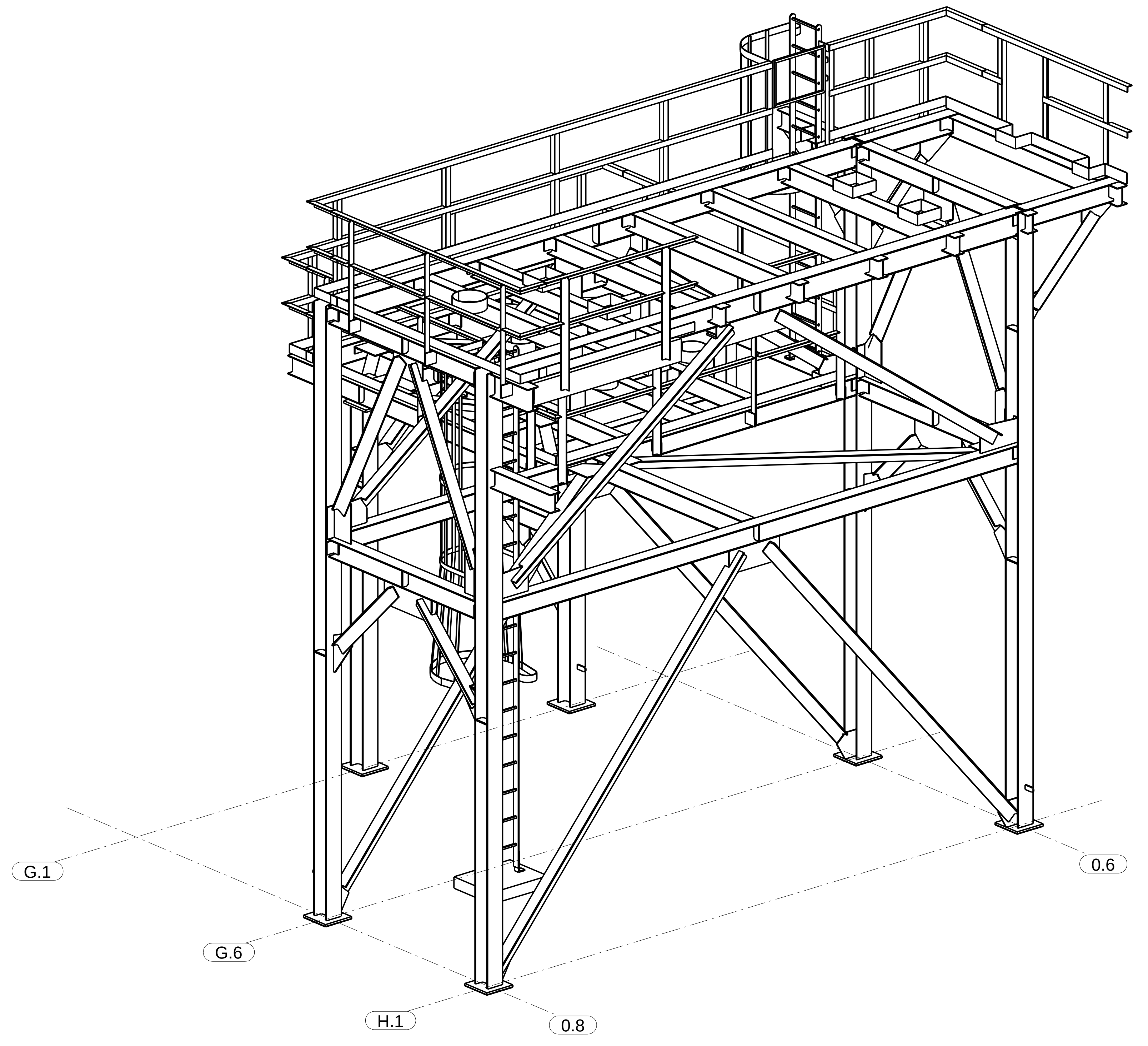


3D - FRONT VIEW



3D - BACK VIEW