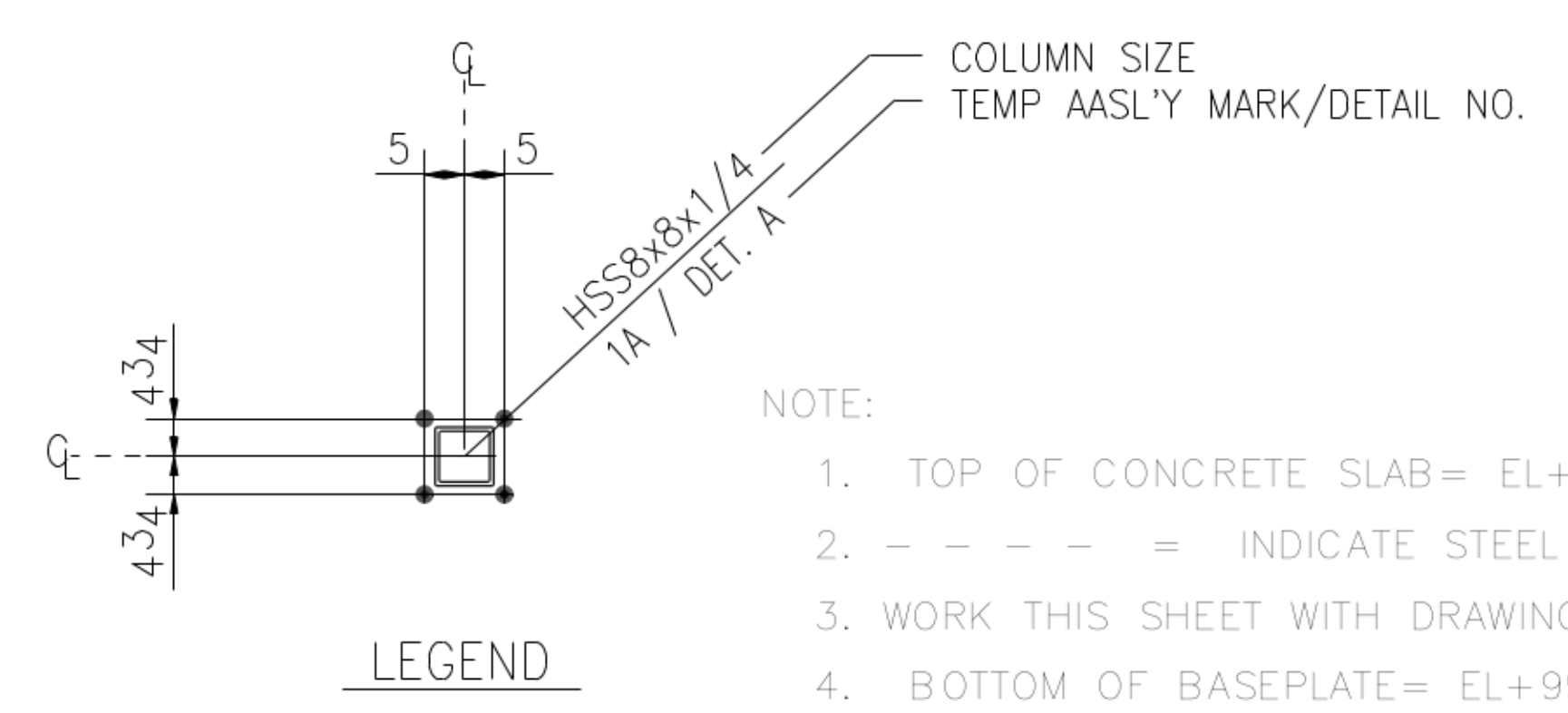
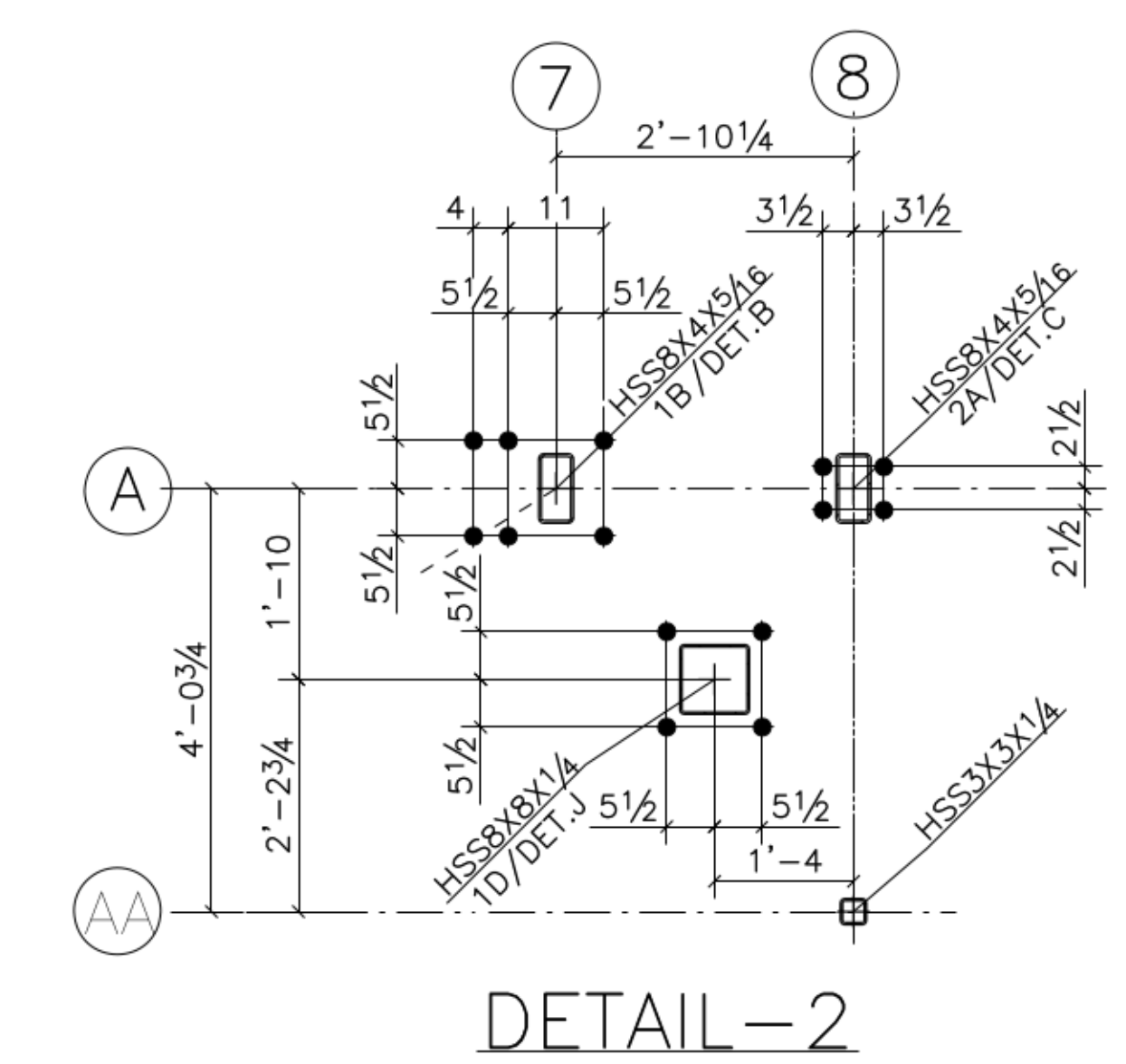
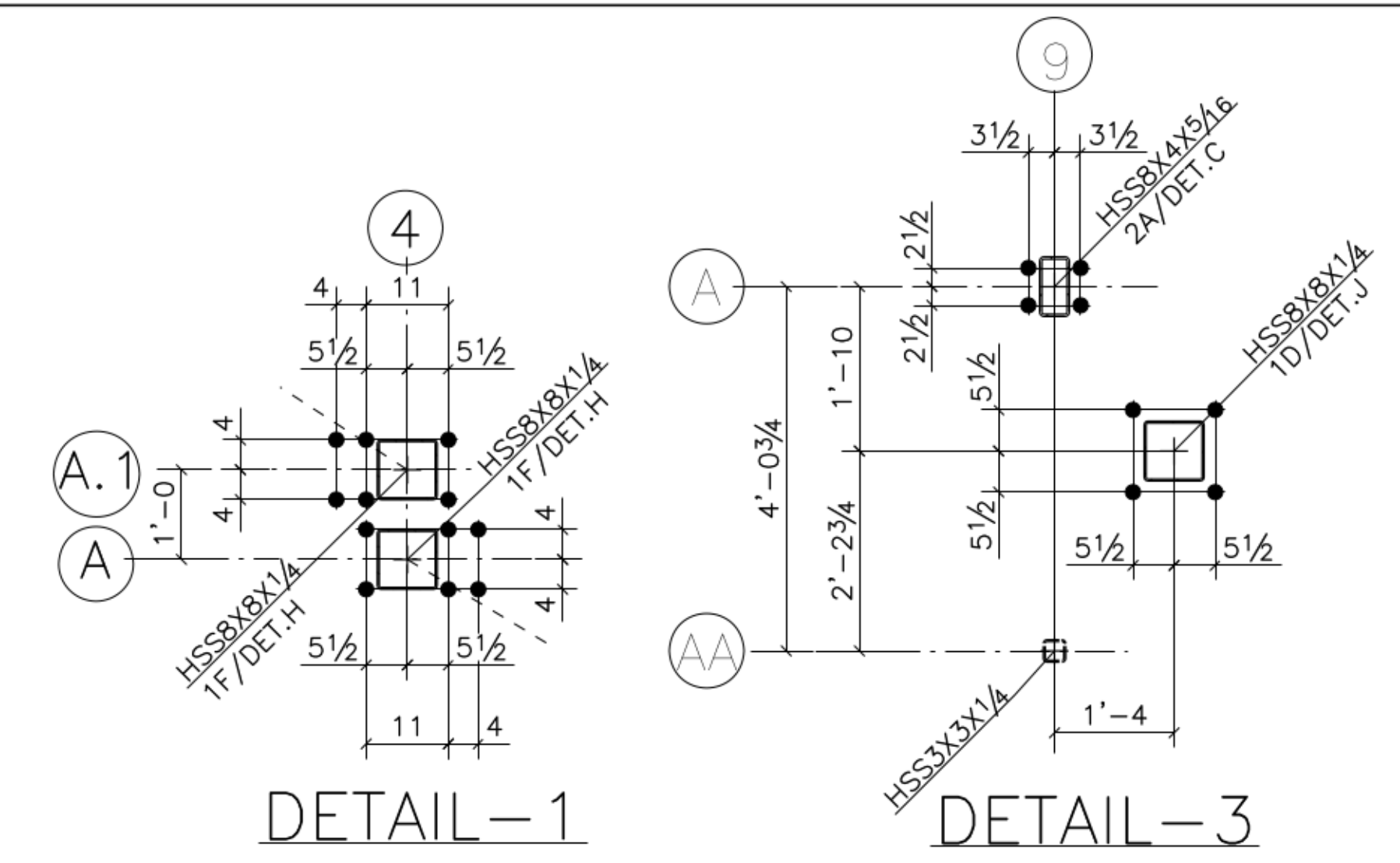


ANCHOR BOLT SETTING PLAN  
(PARTIAL PLAN) (REF.: S1.1)

MATCH LINE  
SEE AB2



- NOTE:
1. TOP OF CONCRETE SLAB = EL+100'-0
  2. - - - - = INDICATE STEEL BRACE FRAME
  3. WORK THIS SHEET WITH DRAWING NO AB2 TO AB4
  4. BOTTOM OF BASEPLATE = EL+99'-5

SEE EMBED PLAN  
1/AB2

SEE EMBED PLAN  
2/AB2