

DETAIL A

REF. DWG. S2.1-08

DETAIL B

REF. DWG. S2.3-06

DETAIL C

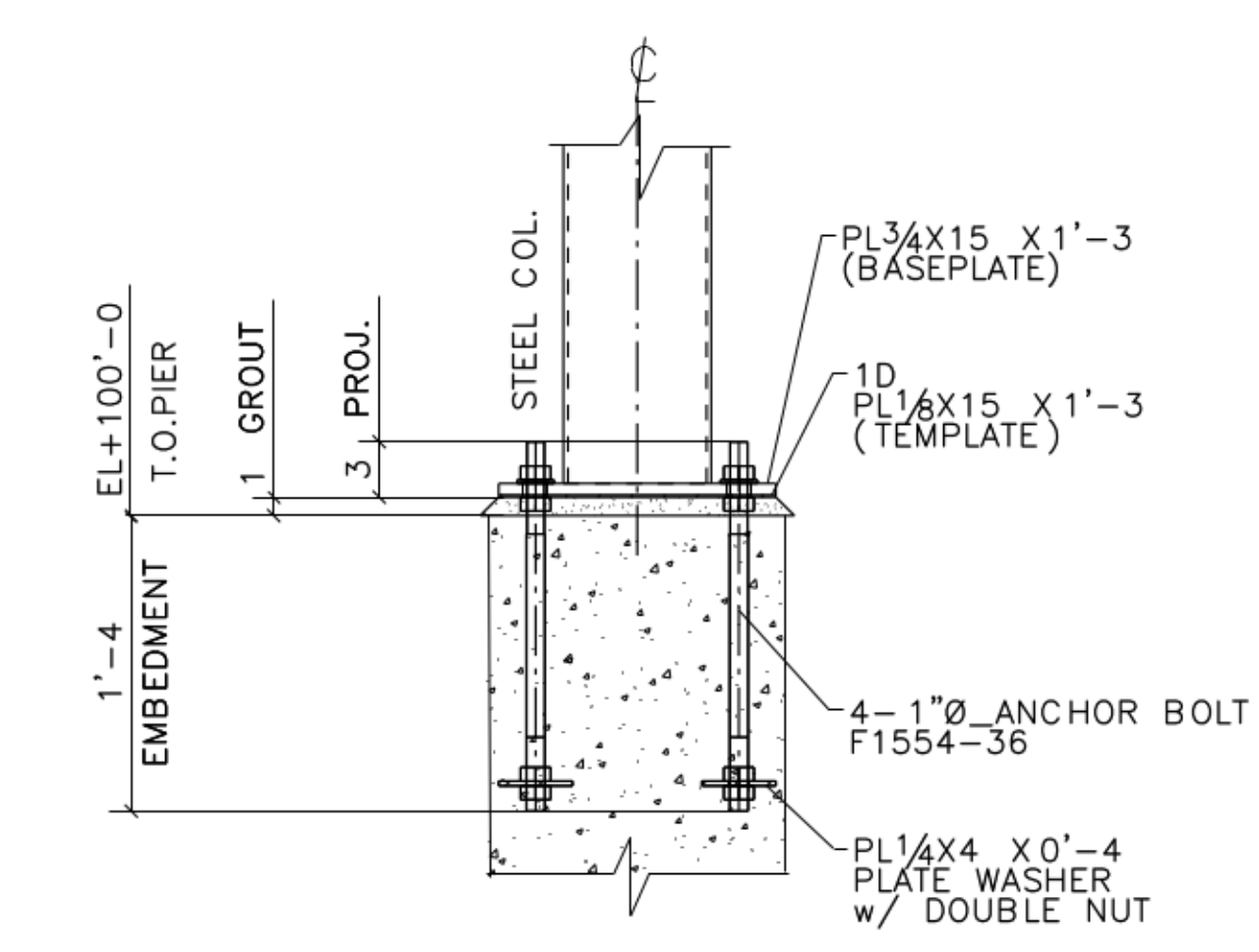
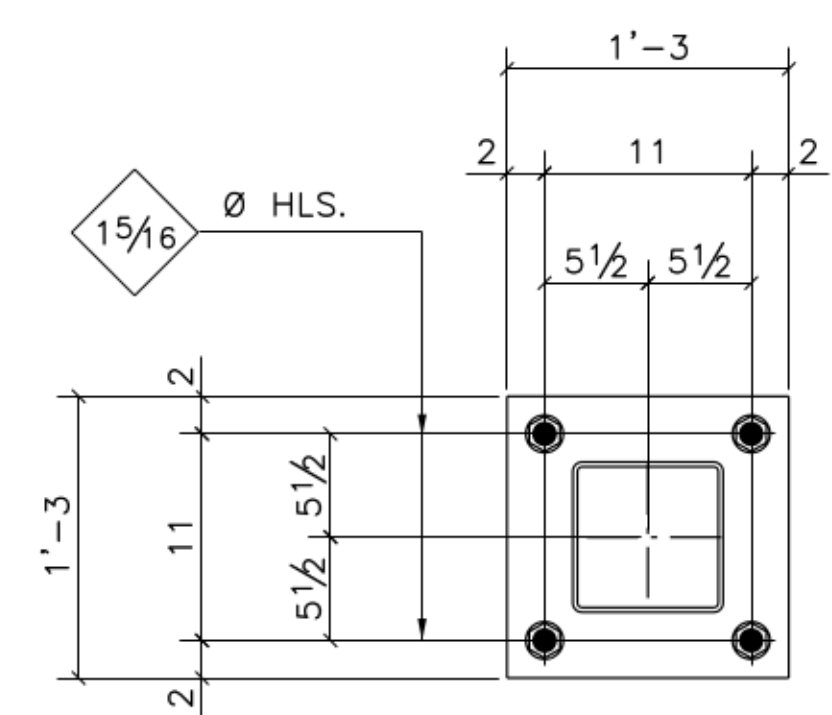
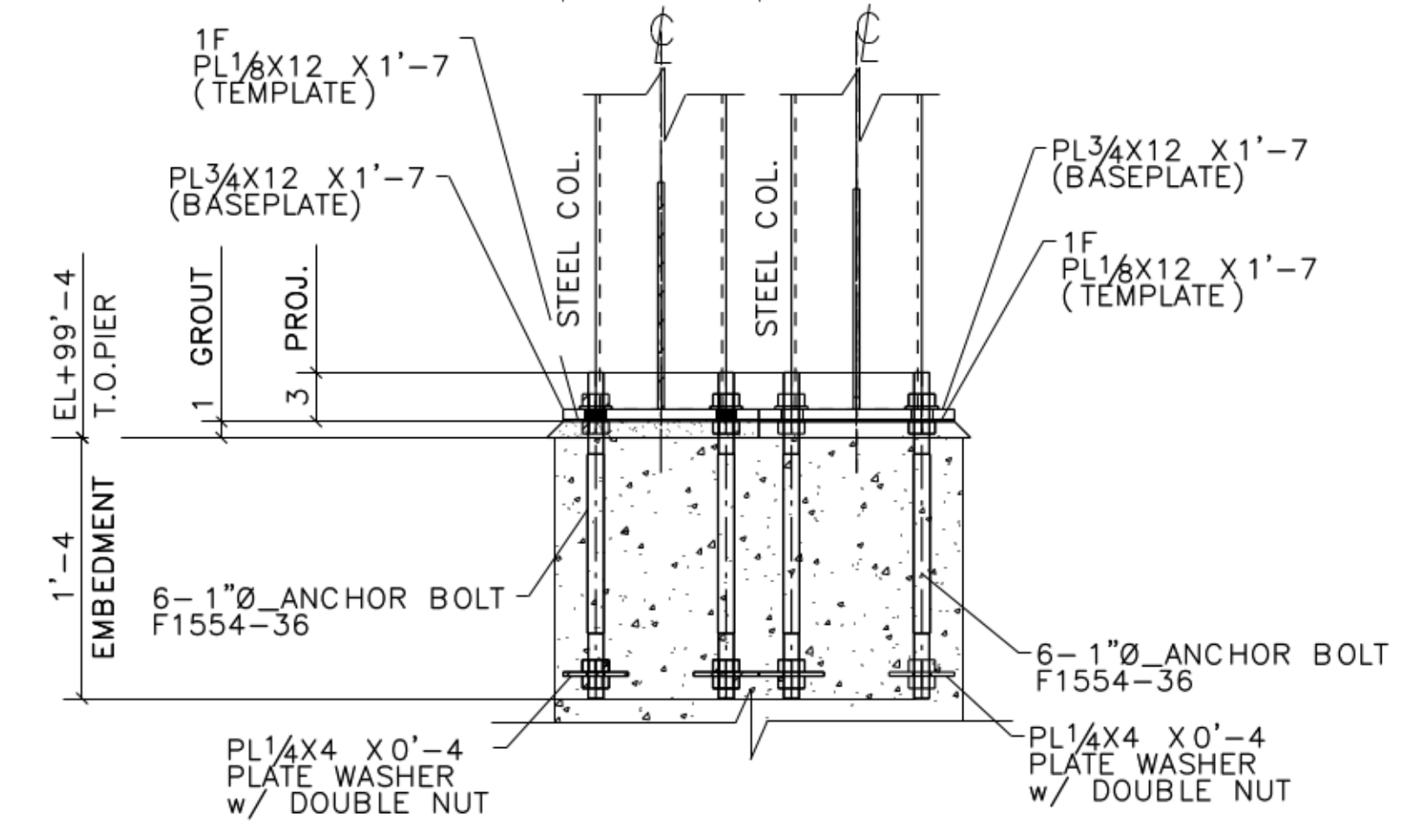
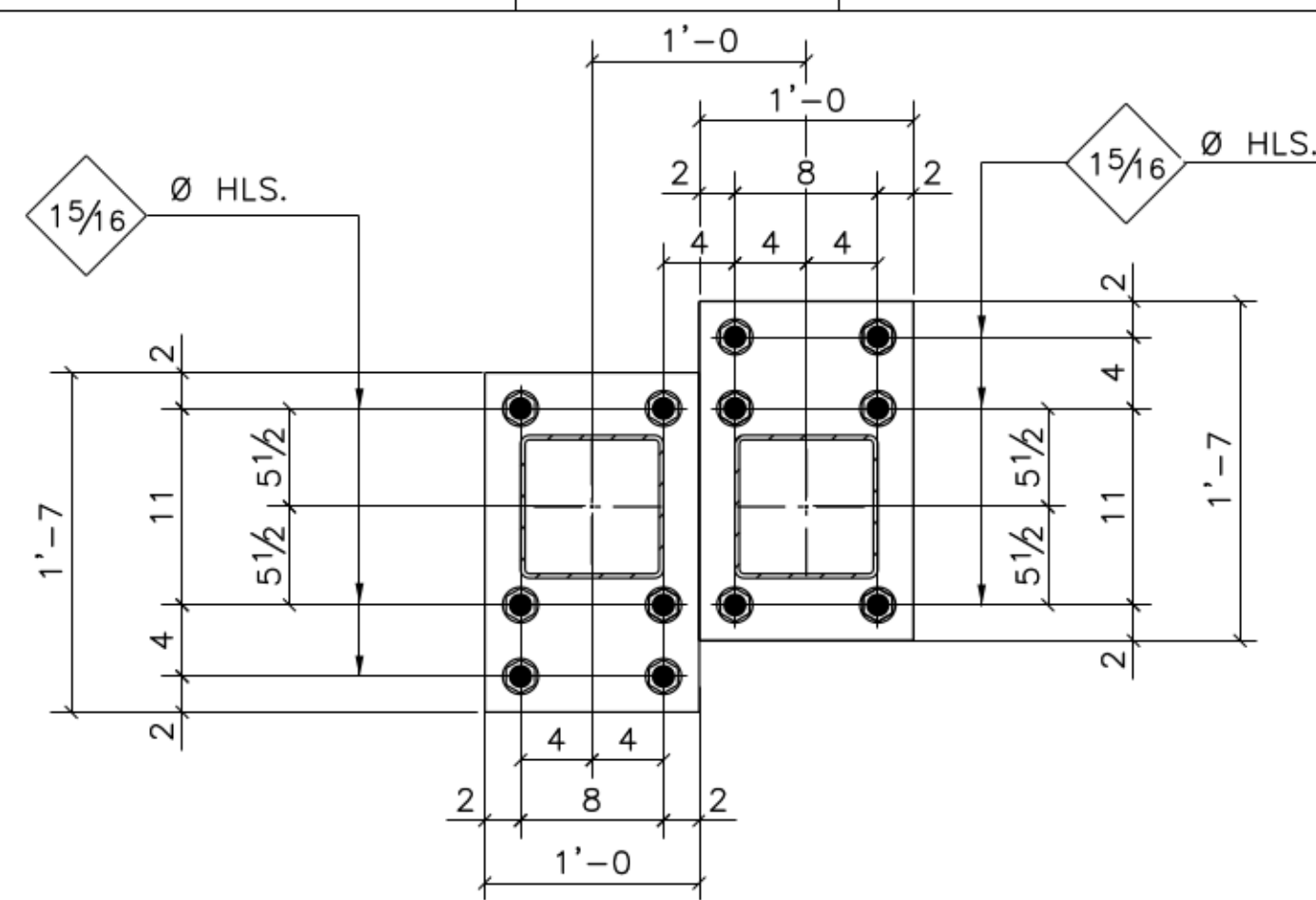
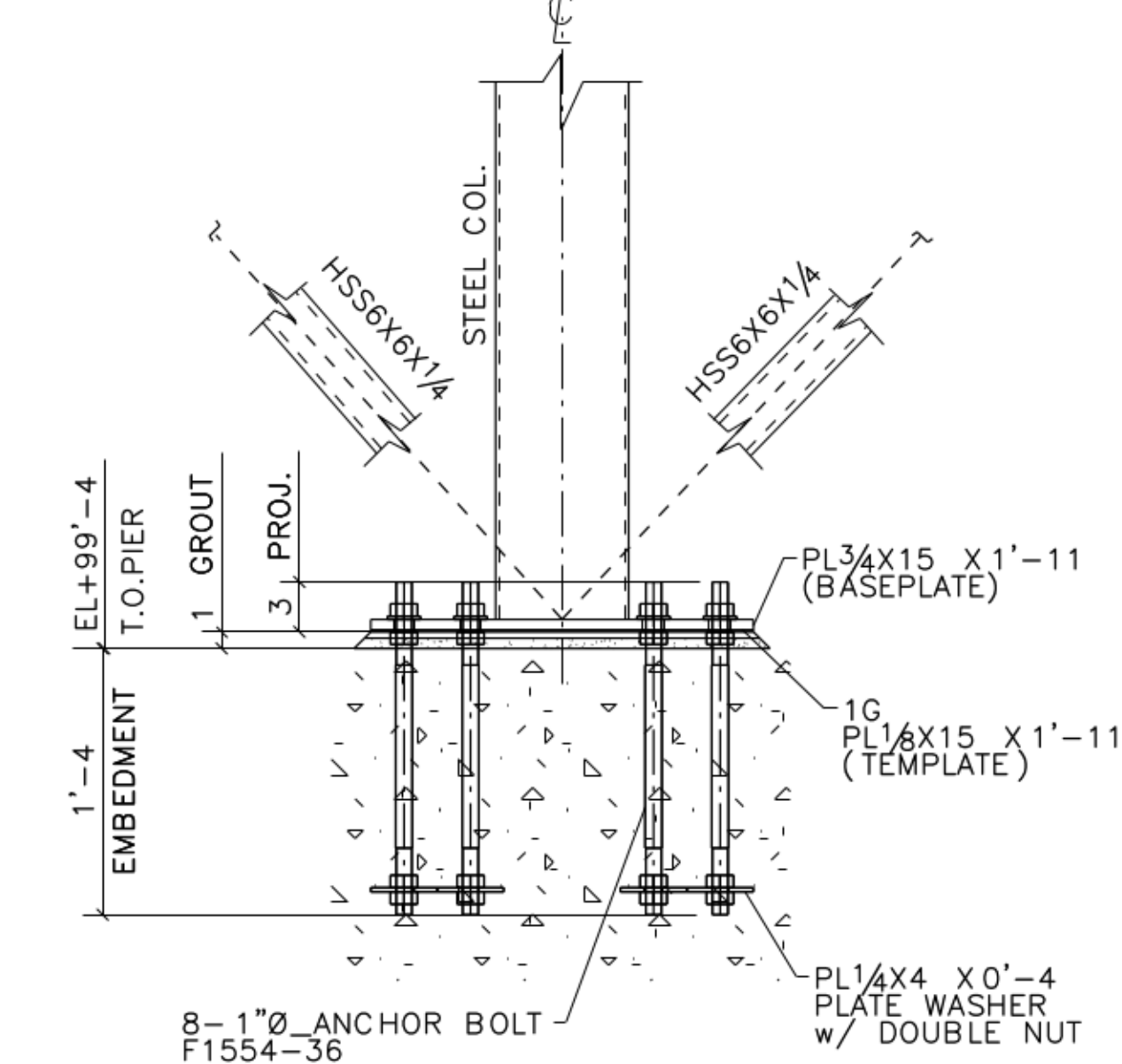
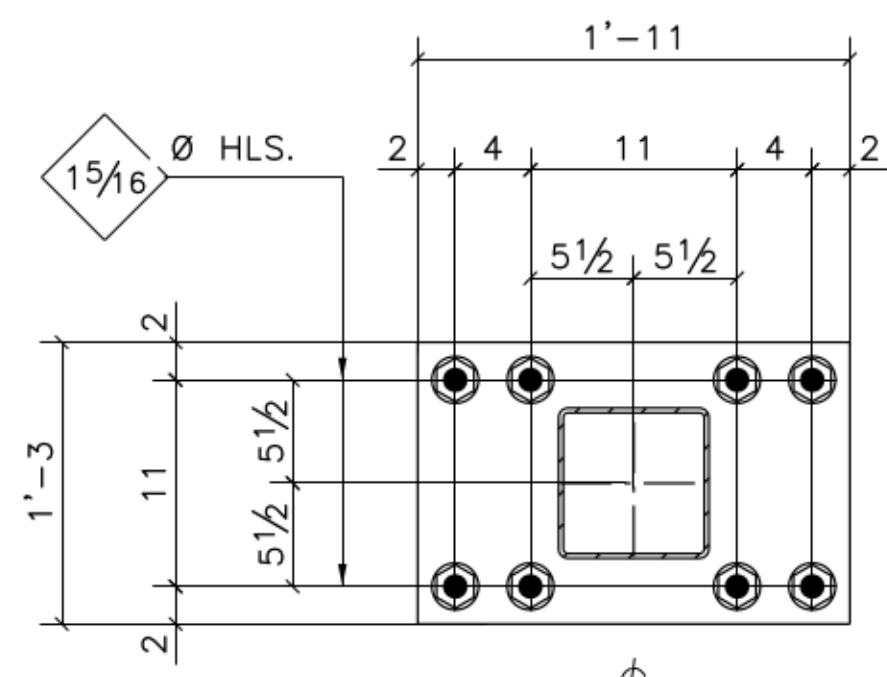
REF. DWG. S2.1-02

DETAIL D

REF. DWG. S2.1-02

DETAIL F

REF. DWG. S2.1-05



NOTE:
1. WORK THIS SHEET WITH DRAWING NO. AB1 & AB2

DETAIL G

REF. DWG. S2.3-06

DETAIL H

REF. DWG. S1.1-01

DETAIL J

REF. DWG. S1.1