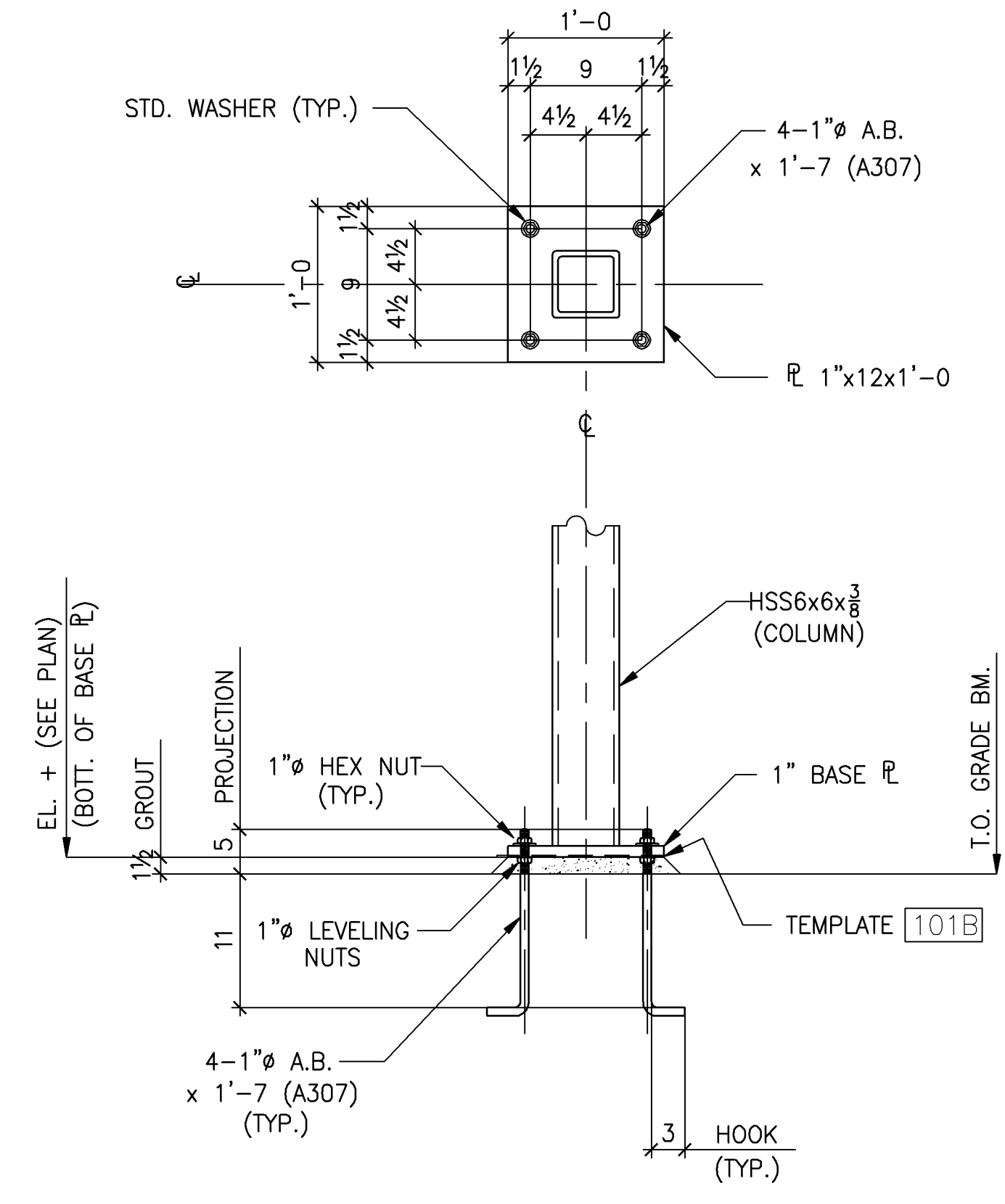
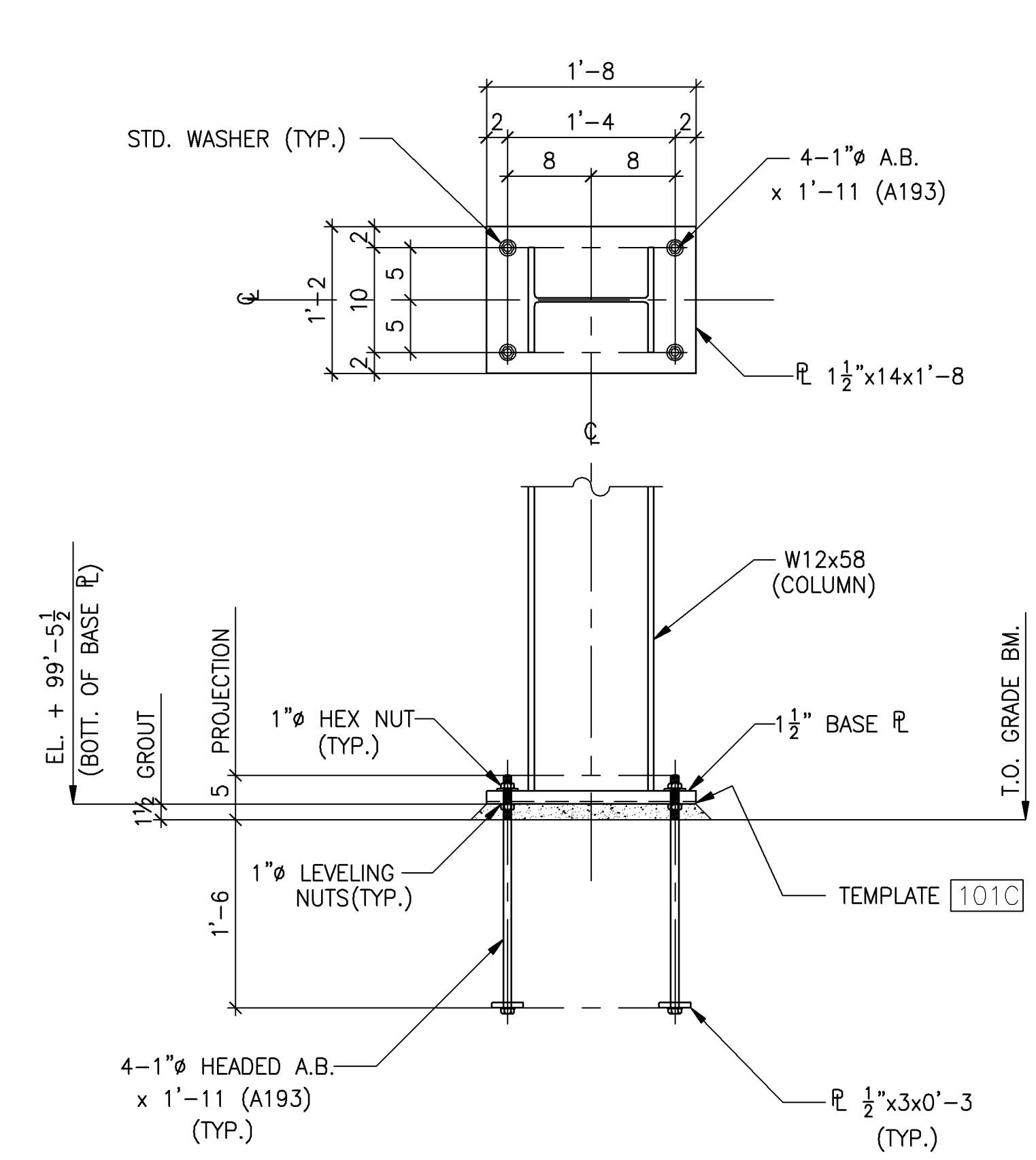


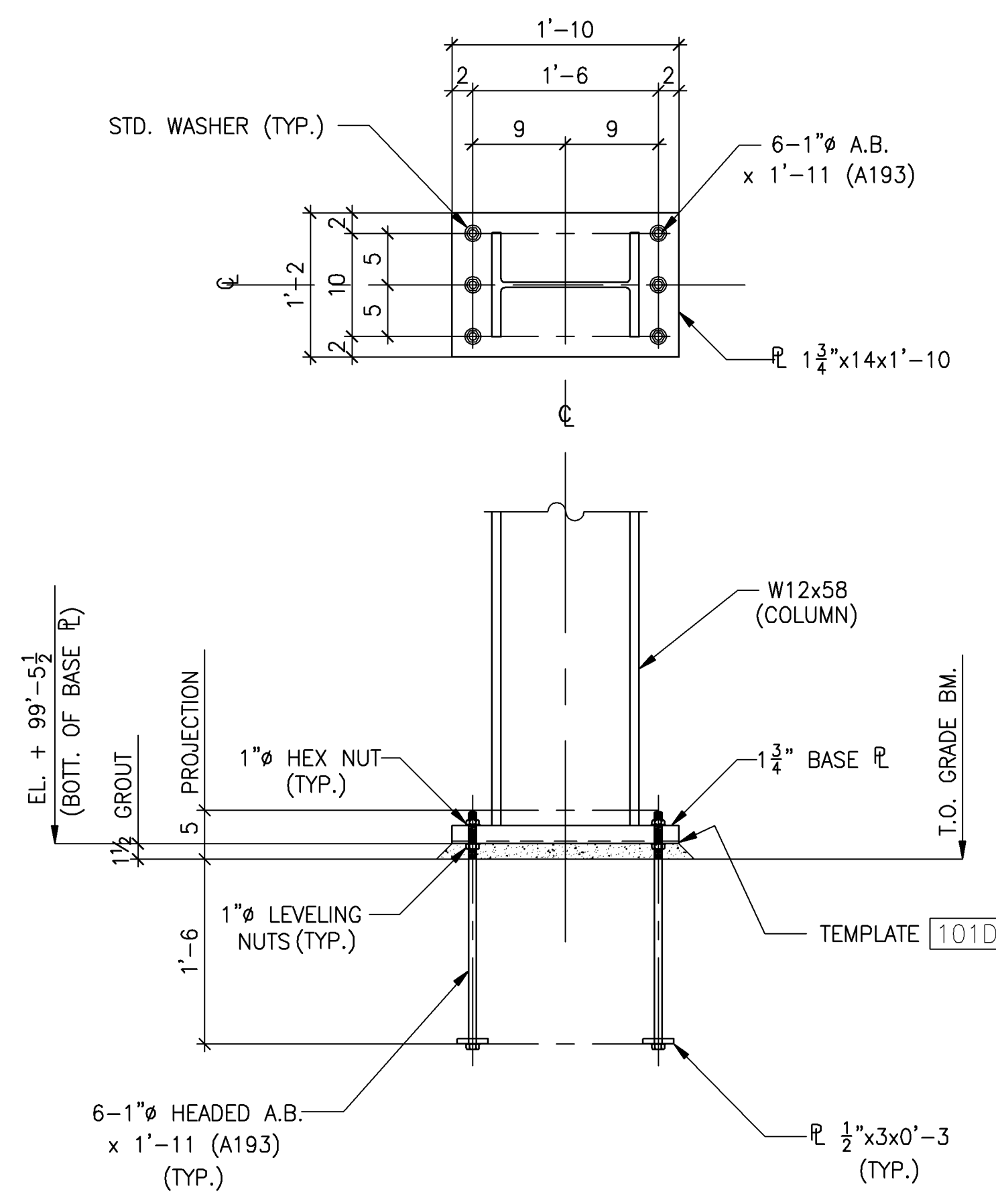
DETAIL 1
(REF.: D1,F2/S5.01)
(5-PLACES)



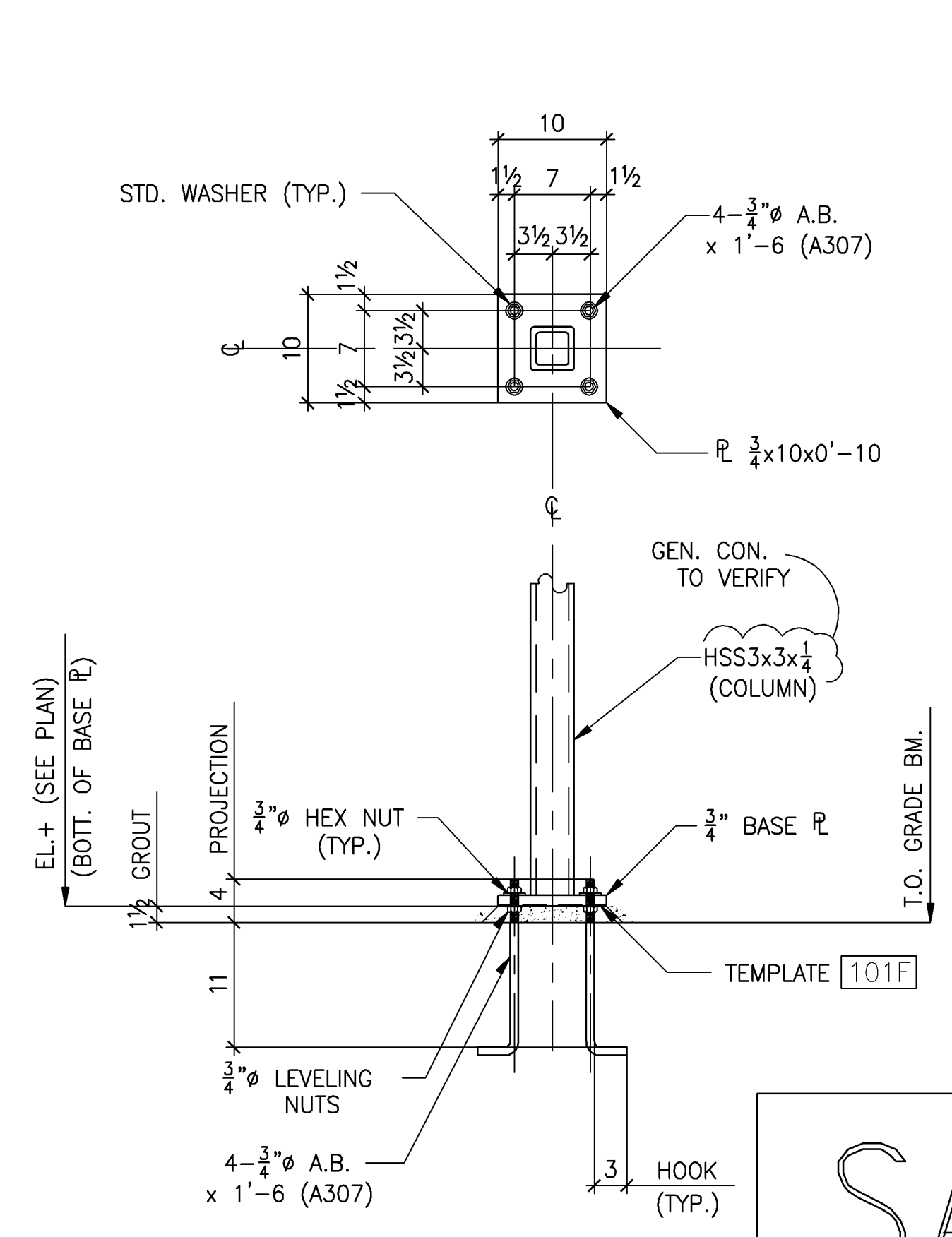
DETAIL 2
(REF.: D1,E2/S5.01)
(14-PLACES)



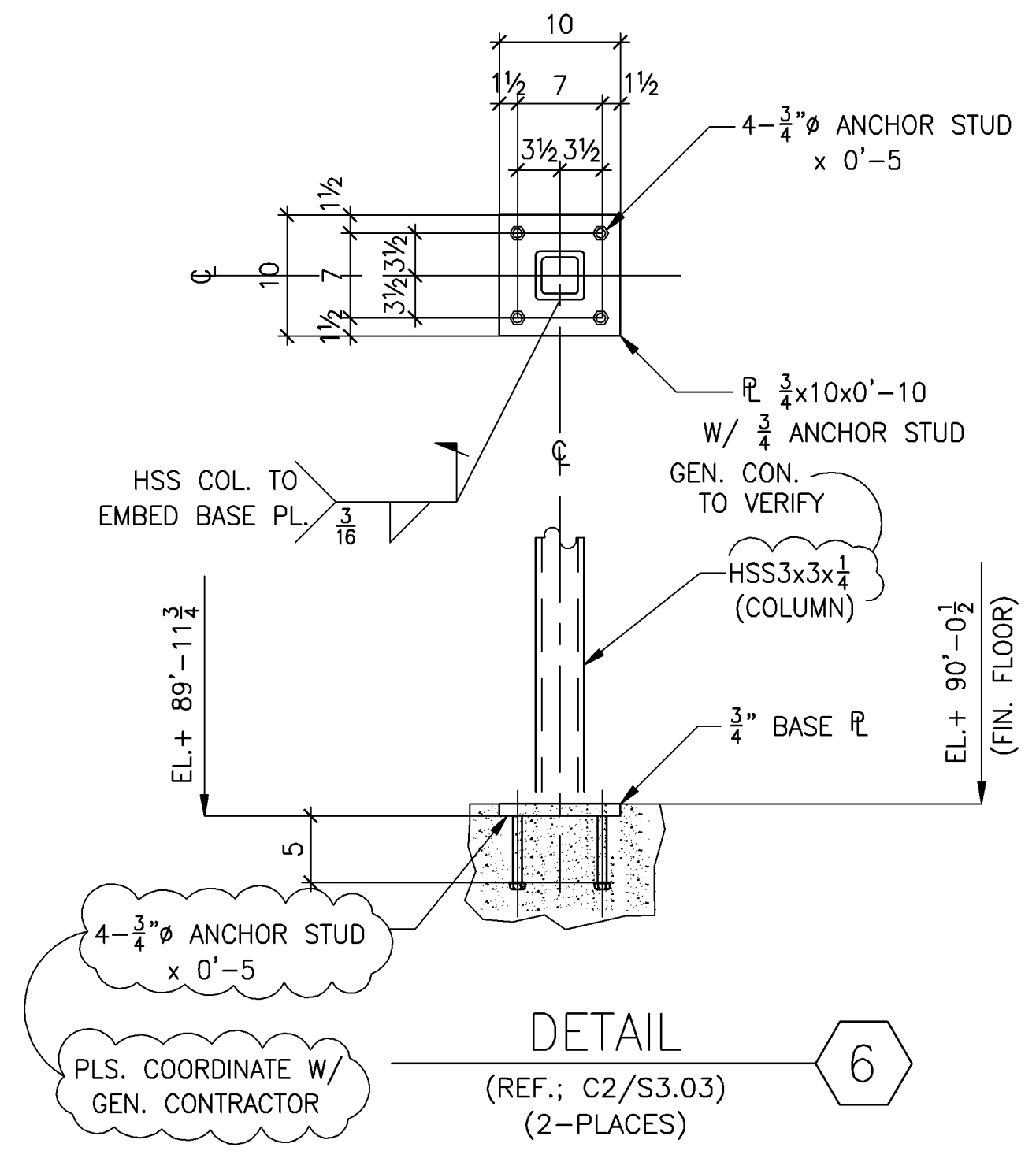
DETAIL 3
(REF.: D1,F2/S5.01)
(14-PLACES)



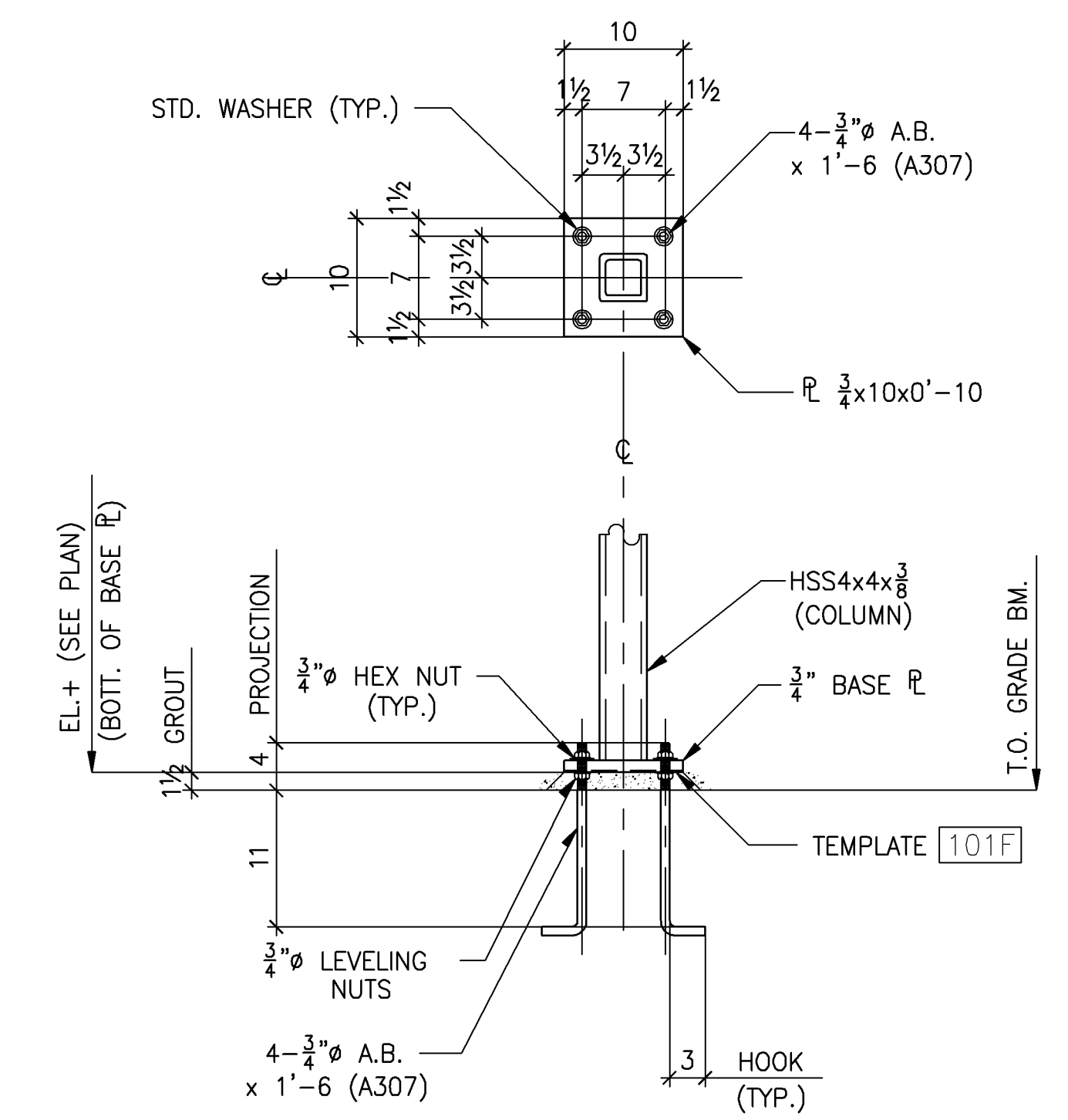
DETAIL 4
(REF.: D1,F2/S5.01)
(14-PLACES)



DETAIL 5
(REF.: D1,E2/S5.01,FI/S3.05)
(10-PLACES)



DETAIL 6
(REF.: C2/S3.03)
(2-PLACES)



DETAIL 7
(REF.: PER APPROVAL COMMENTS)
(3-PLACES)

SAMPLE

FOR CONSTRUCTION 05/26/06
FOR APPROVAL 04/30/06

DATE	NO.	BY	REVISIONS	PRINT RECORD		
				NO.	FOR	DATE

Customer	Drawn By	Checked By
Project	Date	Date
Arch/Engr		
Description		
JOB NAME	JOB#	