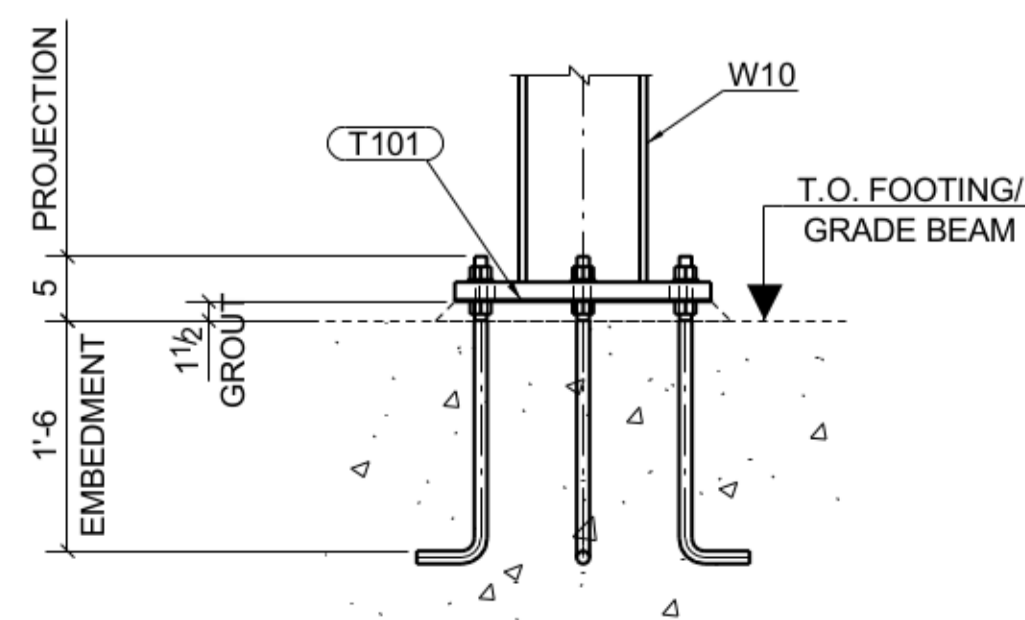
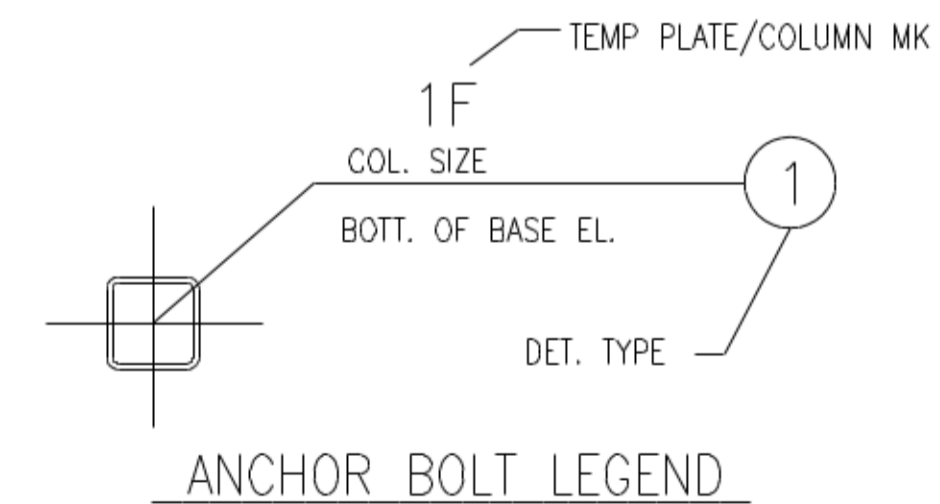
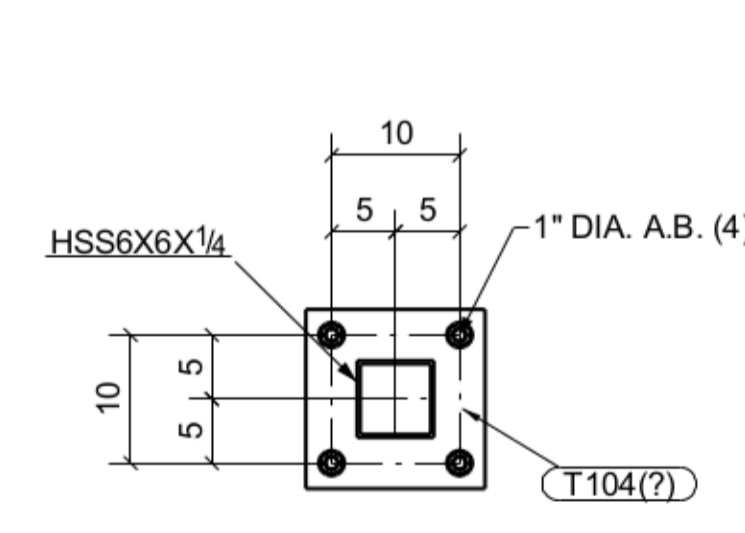
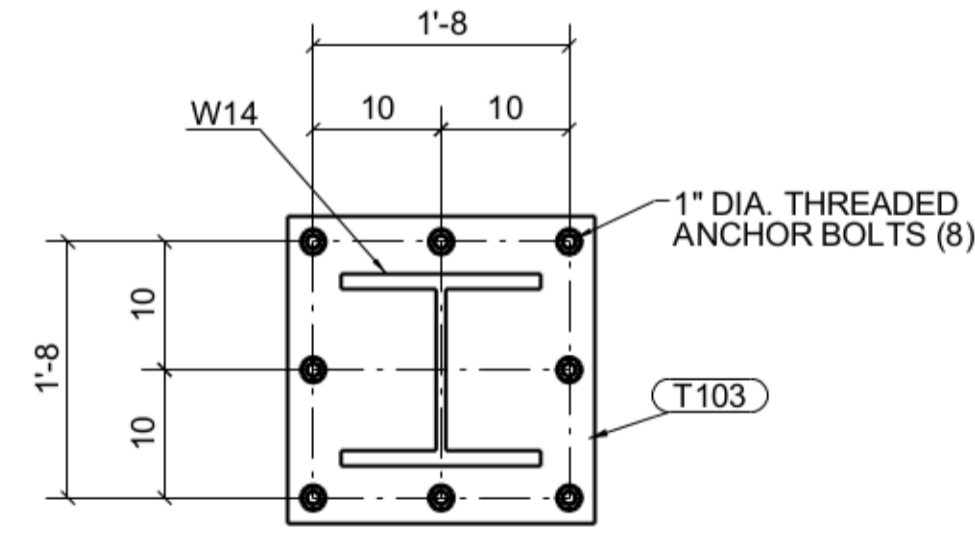
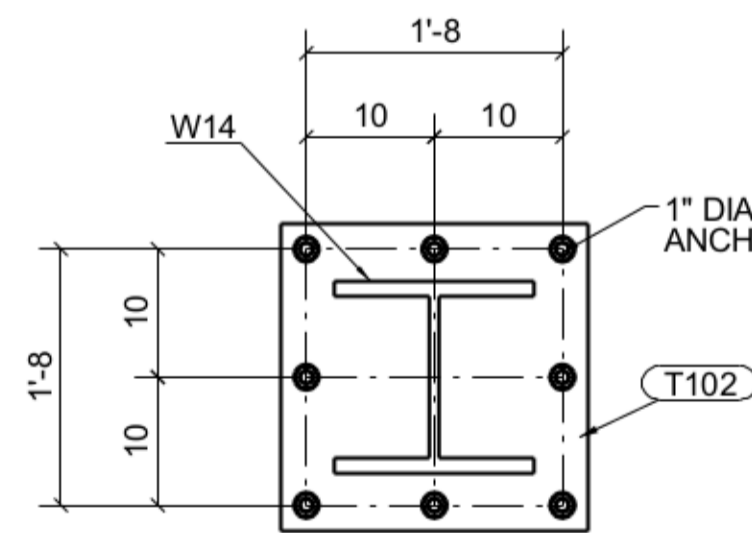
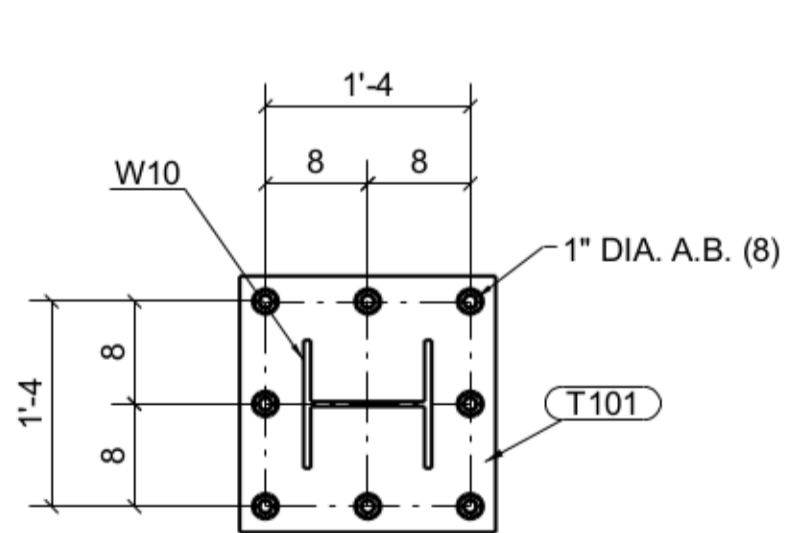
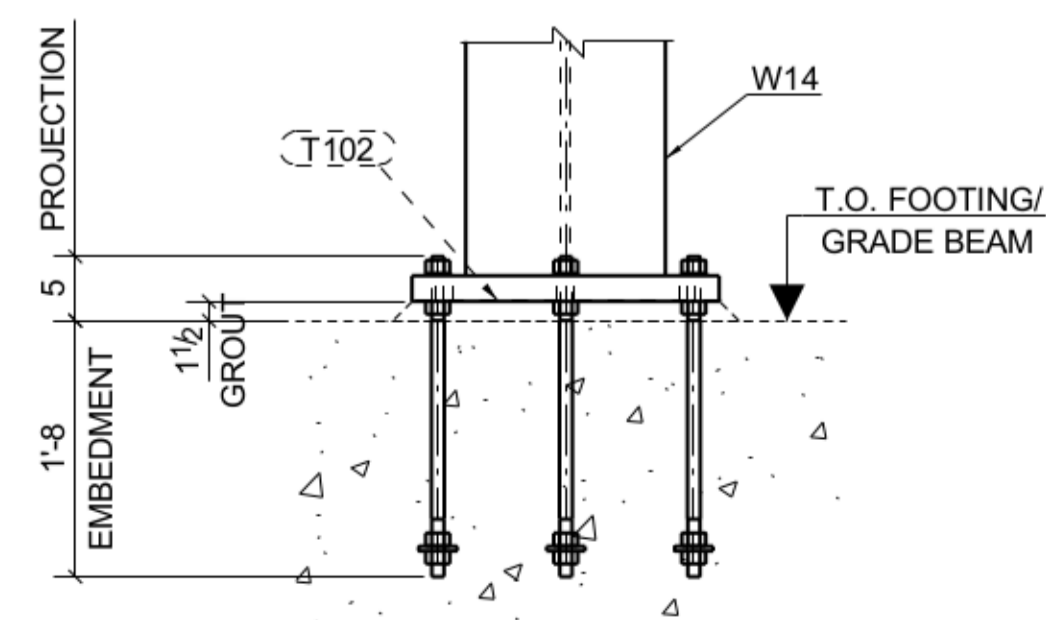


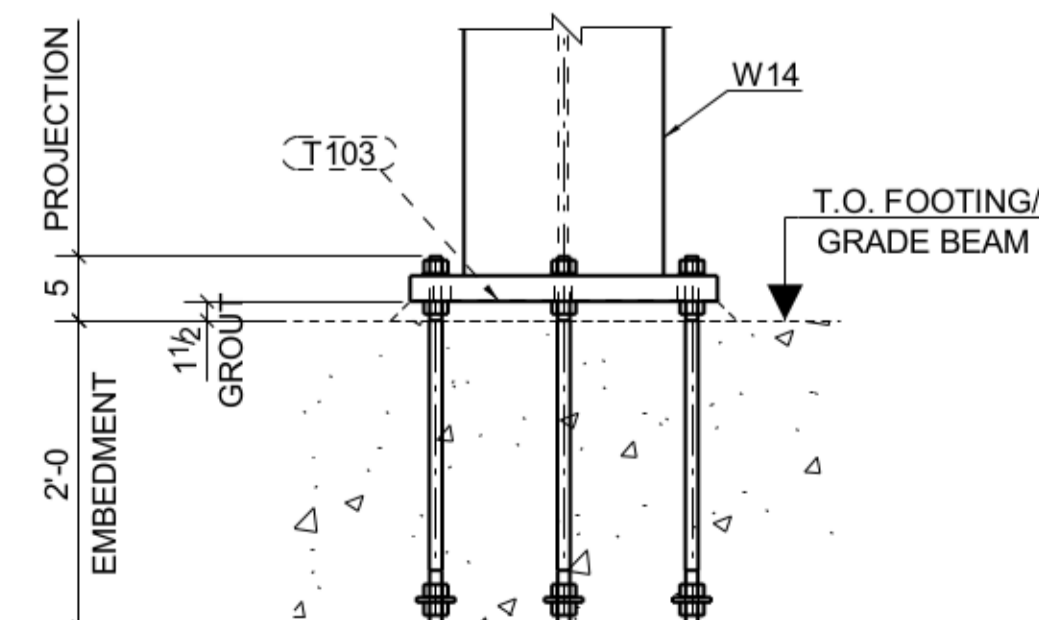
ANCHOR BOLT SETTING PLAN
 REF: S-021.01
 - TOP OF CONCRETE SLAB DATUM EL. (+0'-0") = + 6'-9".



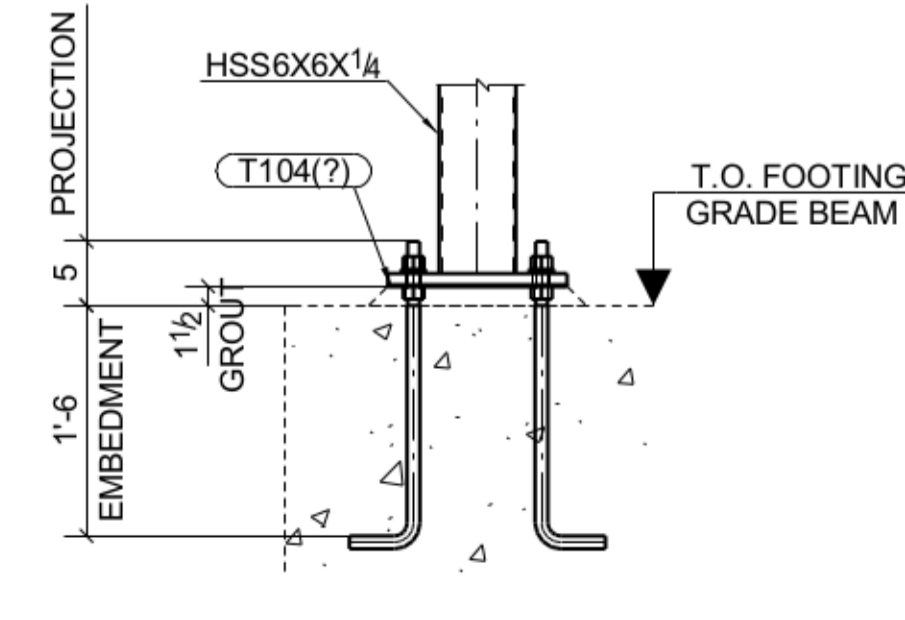
TYPE A
(21 LOCATIONS)



TYPE B
(22 LOCATIONS)



TYPE C
(2 LOCATIONS)



TYPE D
(5 LOCATIONS)