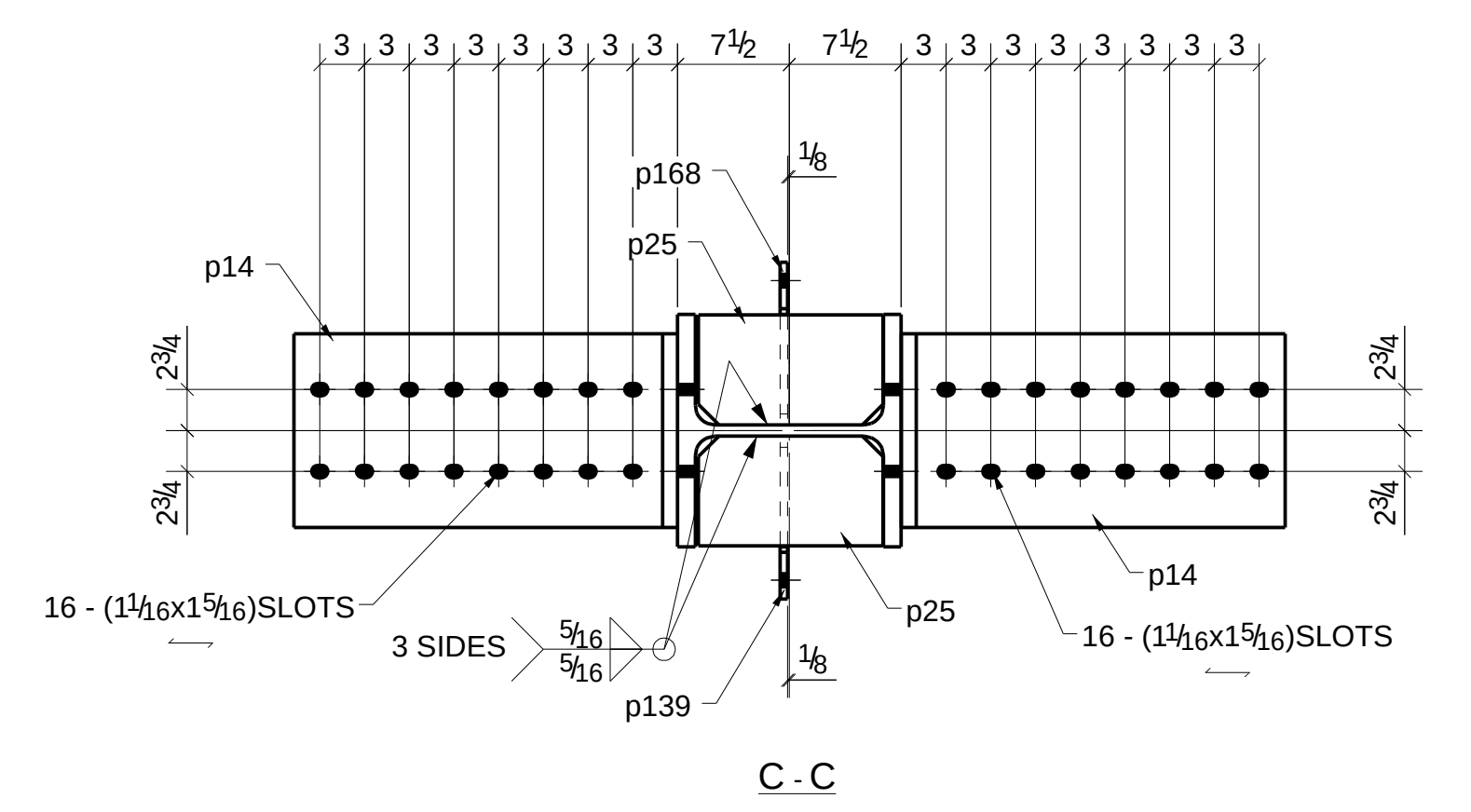
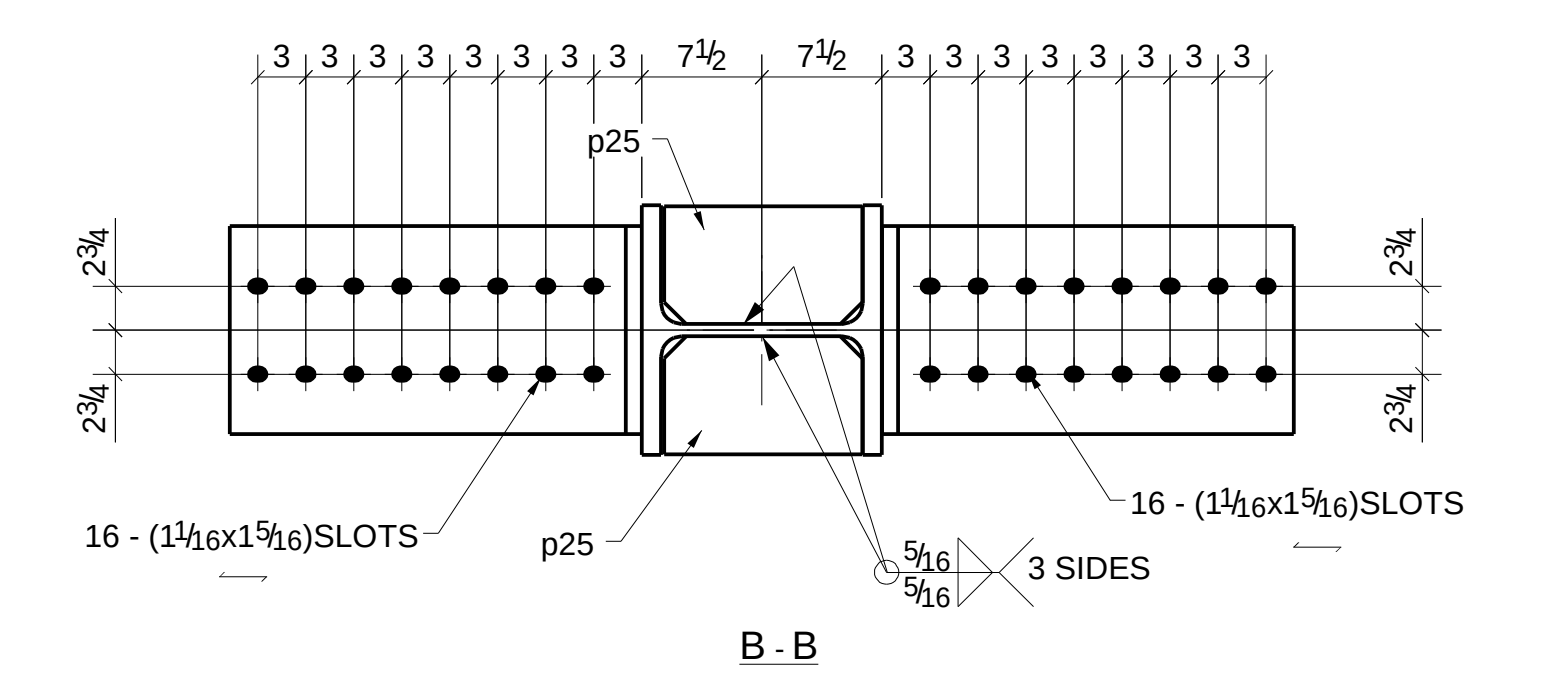
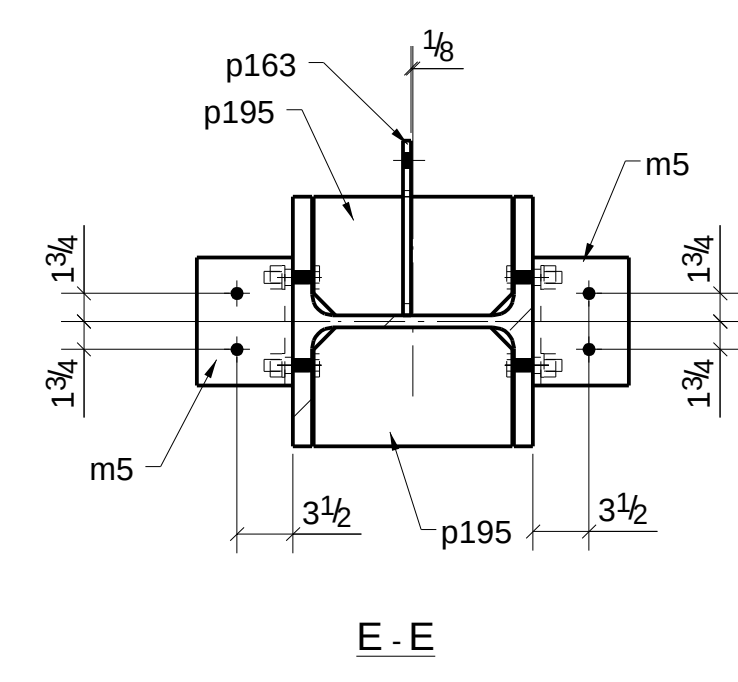
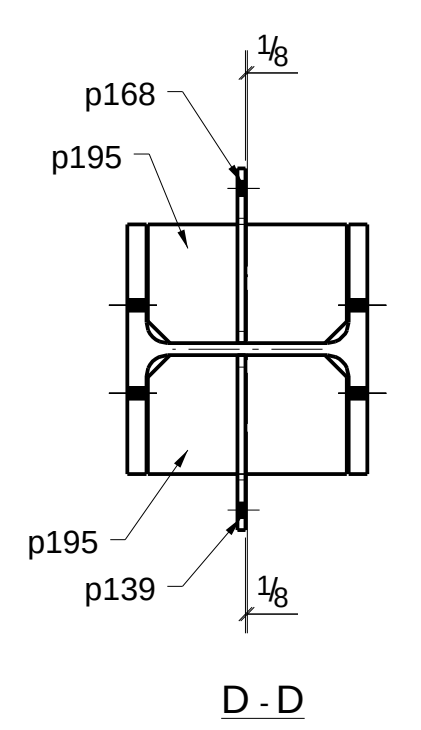
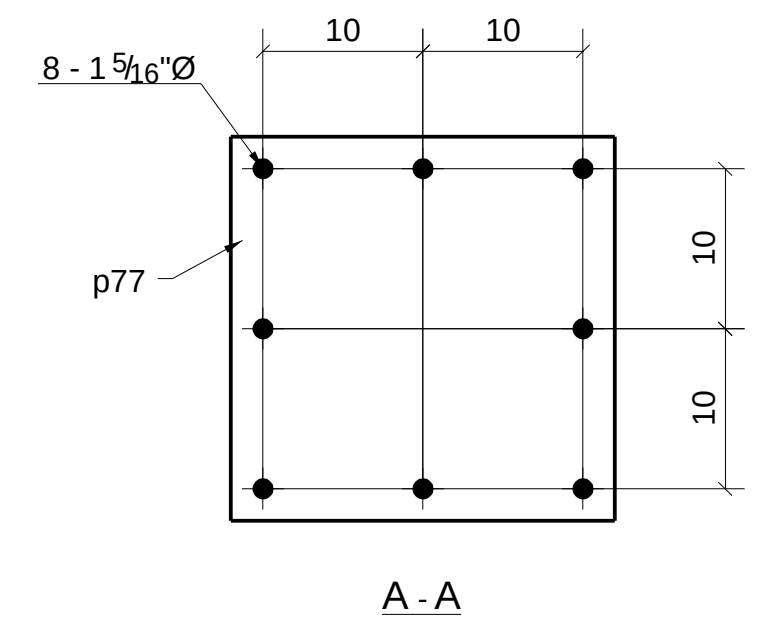
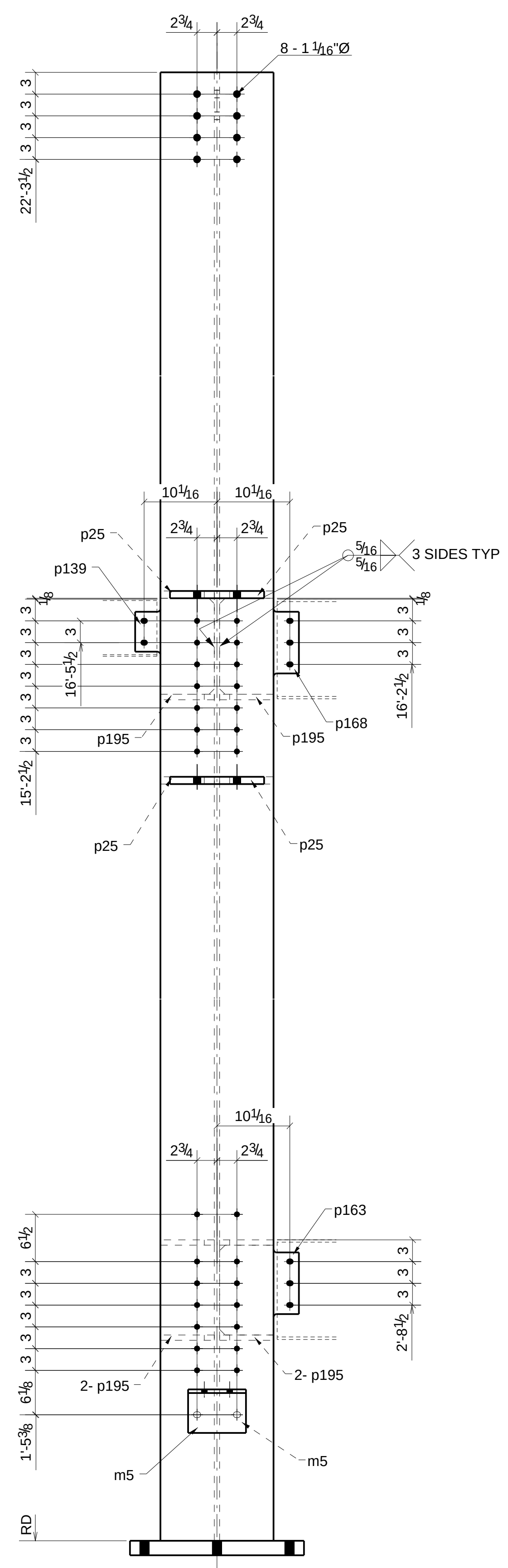
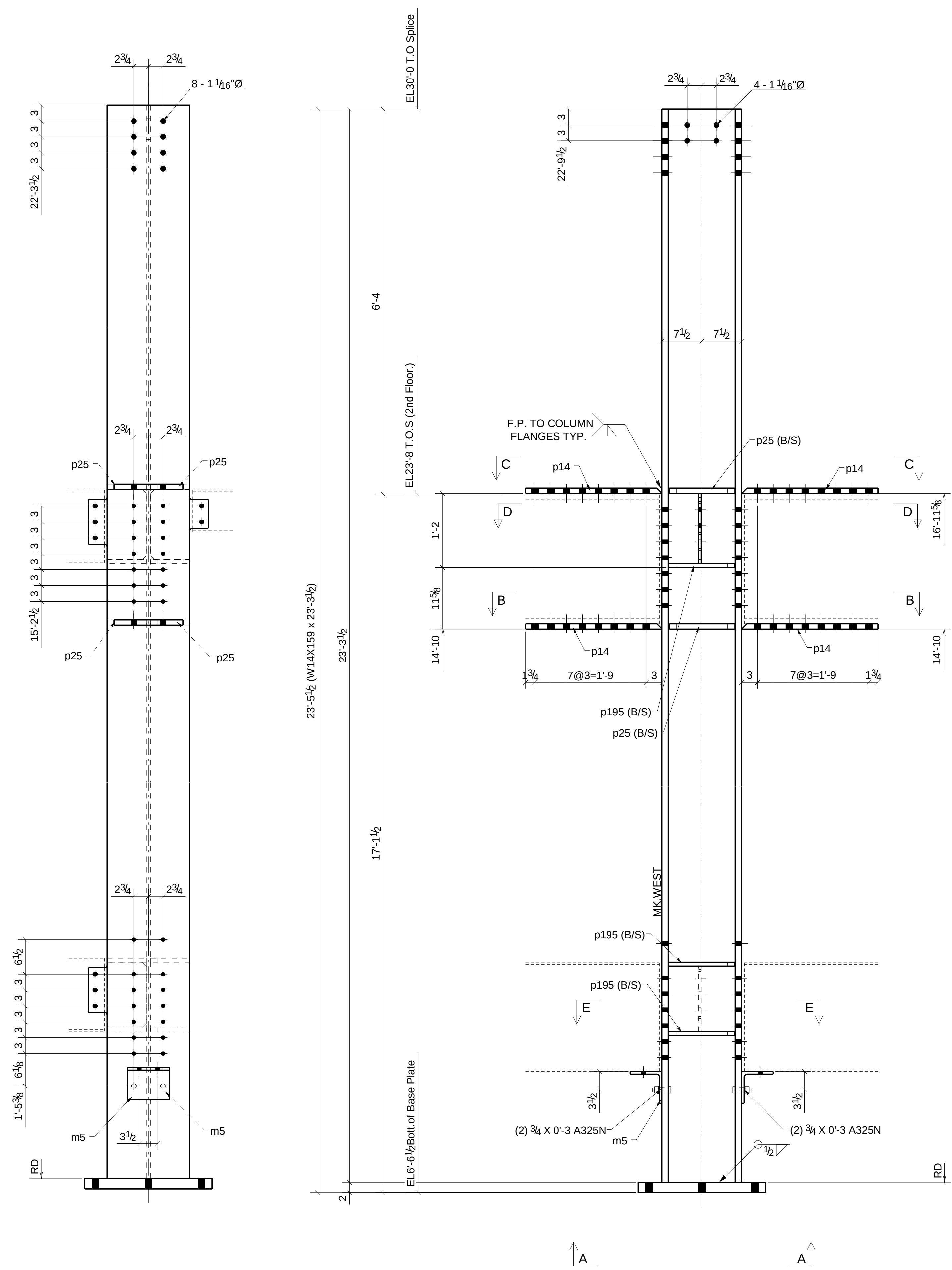


BILL OF MATERIAL

MARK	QTY	ITEM	LENGTH	WEIGHT	GRADE
1C164	1	COLUMN			
C164	1	W14X159	23'-3 1/2"	3702	A992
m5	2	L6X6X1/2	0'-8"	26	A36
p14	4	PL1"X13"	2'-1 3/4"	372	A572-GR.50
p25	4	PL1"X7 3/8"	1'-0 3/8"	101	A36
p77	1	PL2"X24"	2'-0"	327	A36
p139	1	PL1/2"X10 15/16"	1'-1 1/4"	17	A36
p163	1	PL1/2"X10 15/16"	1'-0 3/8"	17	A36
p168	1	PL1/2"X10 15/16"	1'-1 1/4"	18	A36
p195	6	PL3/4"X7 7/16"	1'-0 7/16"	115	A36
4		3/4"Ø A325N BOLT	0'-3"	3	Workshop
4		1"Ø A325SC BOLT	0'-4 1/4"		Site
16		1"Ø A325SC BOLT	0'-3 3/4"		Site
				4698	



- SHOP NOTES:**
1. ALL MATERIALS A36 U.N.
 2. WELD : 1/4 FW. E70XX ELECTRODES U.N.
 3. HOLES : 13/16 U.N.
 4. PAINT : PS1 U.N.O.
 5. ALL HOLES MUST BE CLEAN AND FREE OF BURRS.

ONE - COLUMN - 1C164