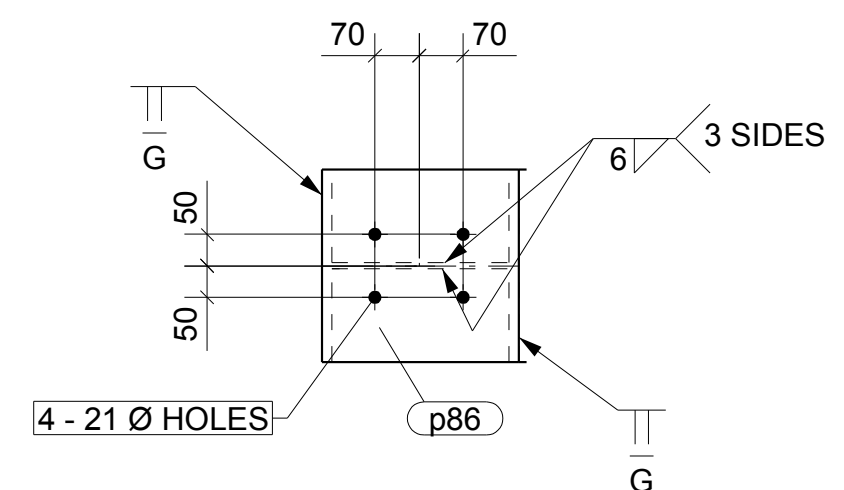
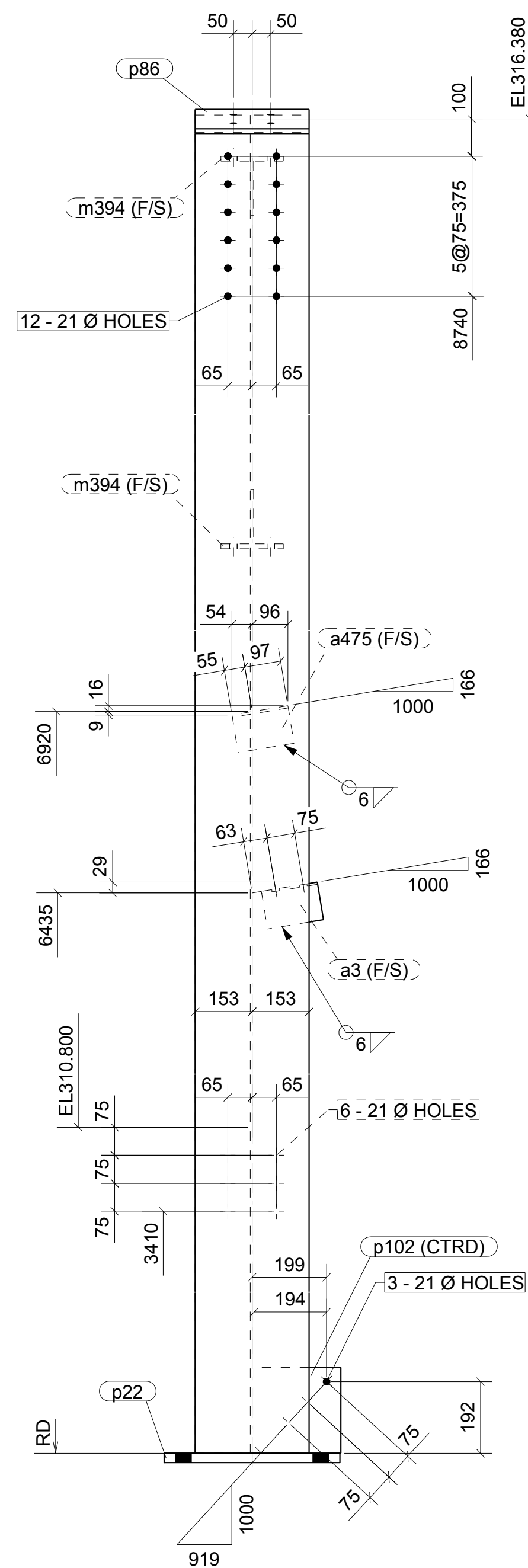
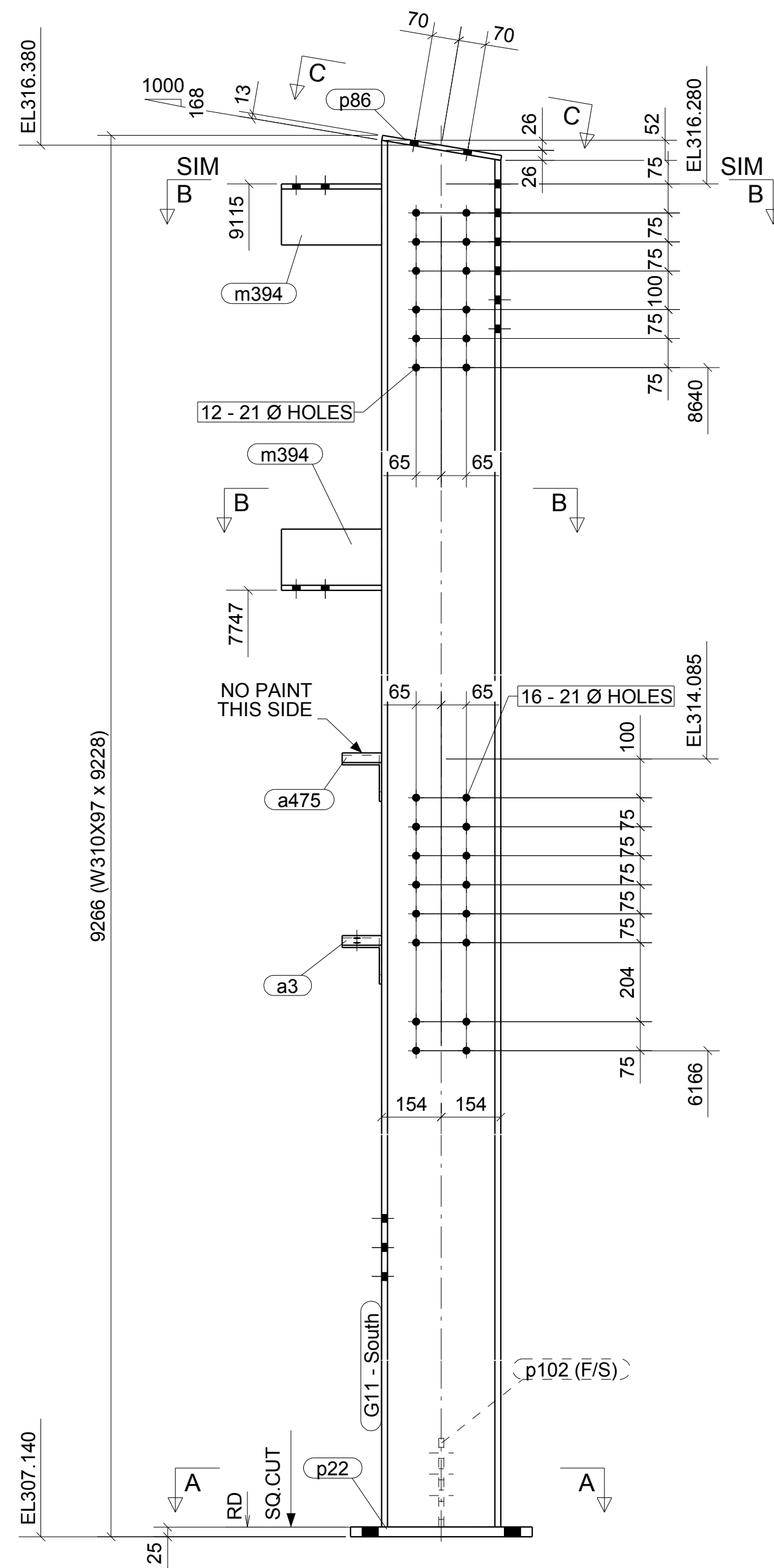


Unit Qty	Workshop Bolts (FOR ONE ASSEMBLY ONLY)	Length
----------	--	--------

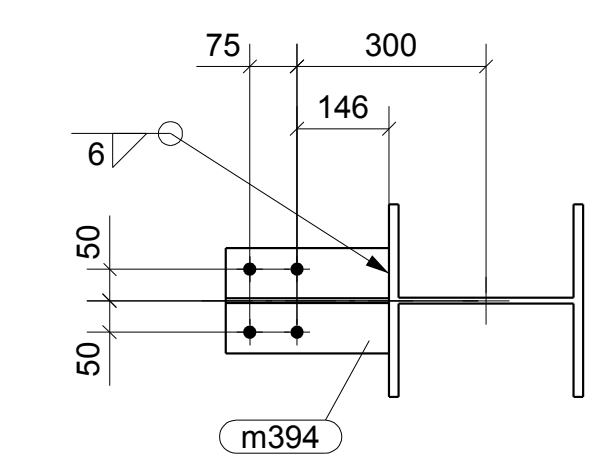
Unit Qty	Field Bolts (FOR ONE ASSEMBLY ONLY)	Length
2	19 Ø A325N BOLT	44

BILL OF MATERIAL

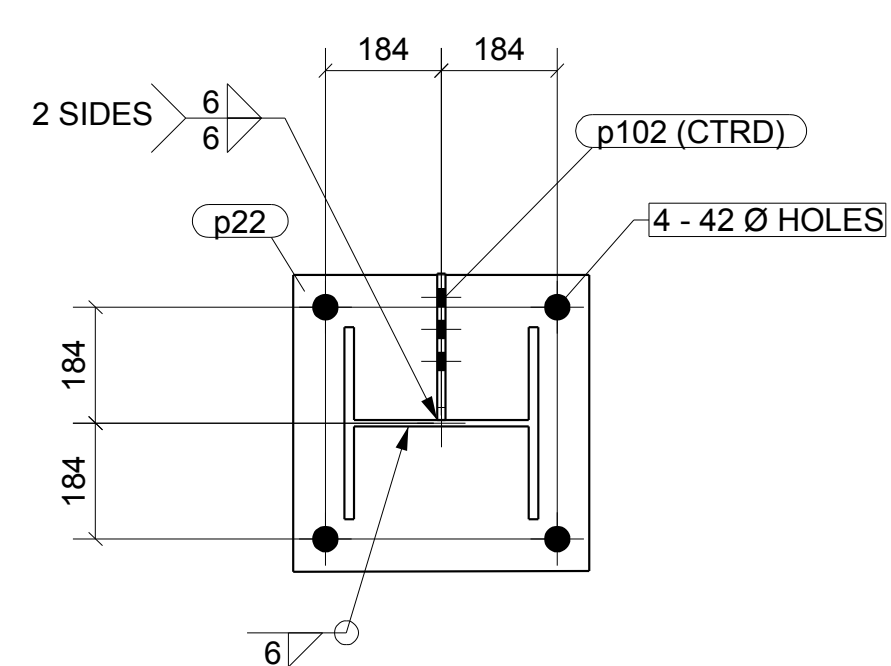
MARK	QTY	SECTION	LENGTH	WT	CAT
G11	1	COLUMN			
G11	1	W310X97	350W	9227	
a3	1	L102X102X6.4	300W	151	
a475	1	L102X102X6.4	300W	151	
m394	2	WT155X26	350W	259	
p22	1	PL25X470	350W	470	
p86	1	PL13X305	350W	312	
p102	1	PL13X230	350W	232	



C - C



B - B



A - A

1 - COLUMN - G11

INSPECTION STATUS	FITTING CREW LEADER	WELDING CREW LEADER	FINAL INSPECTION SHOP FOREMAN
	FITTER	WELDER	

