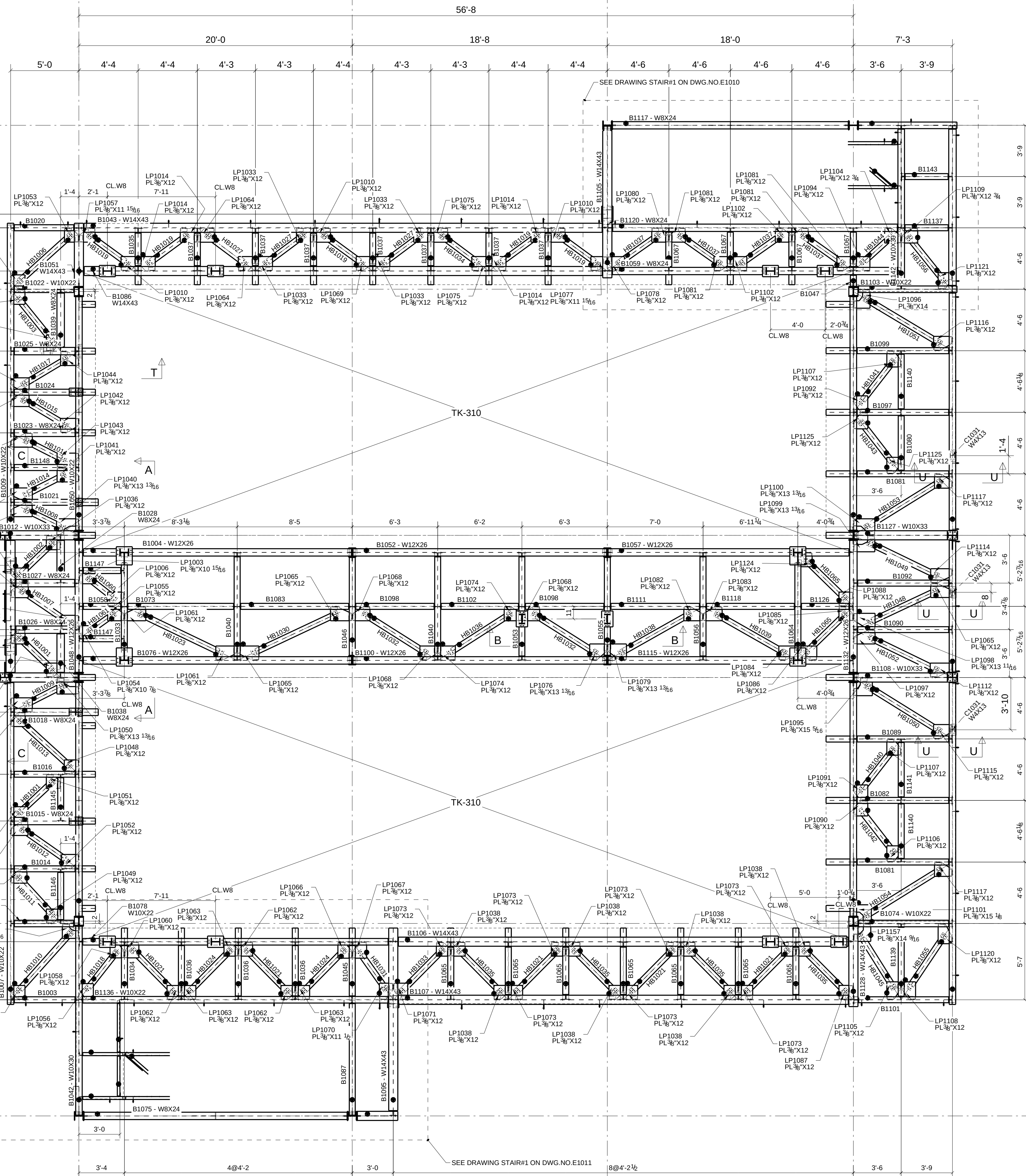
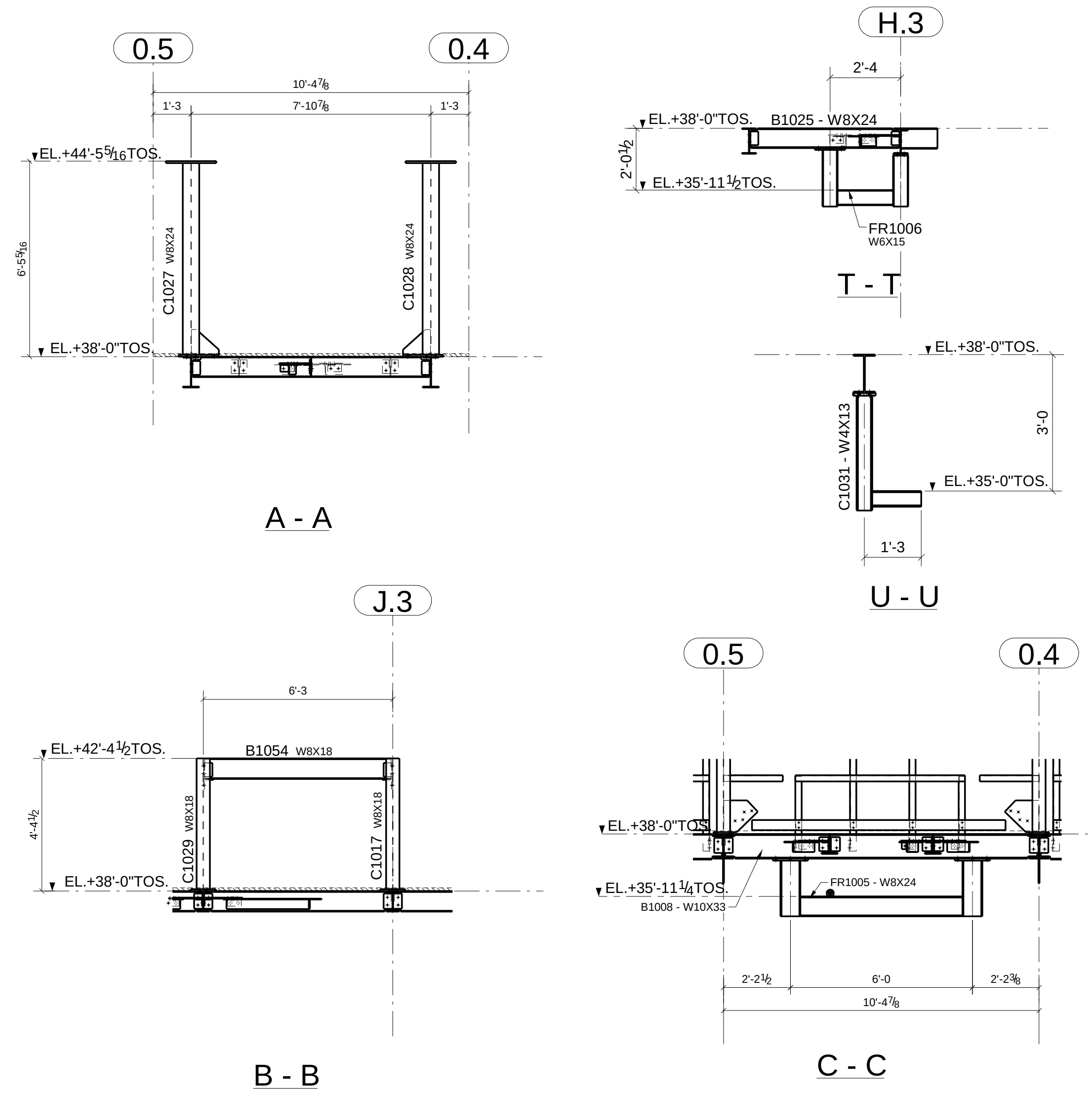
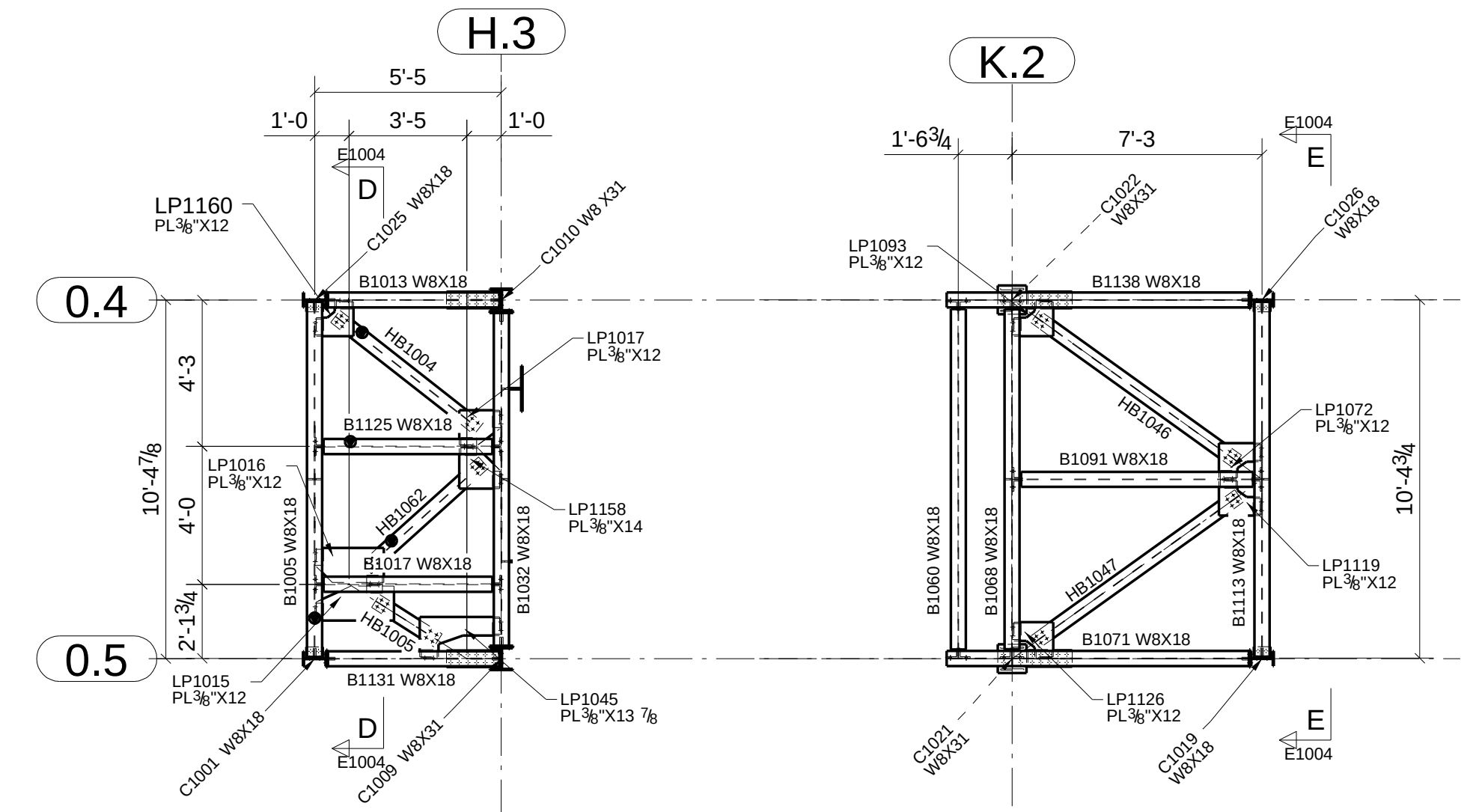


H.3 I.4 J.3 K.2

0.1
0.2
0.4
0.5
0.7
0.9



PLAN @ TOS.EL.38'-0''(UN)
(ALL HORIZONTAL BRACING TO BE WT4x9 (-3') TOS. U.N.O.)
(ALL BEAM TO BE W8x16. U.N.O.)



PRINT		RECORD			
DATE	NO. PRTS	FOR	DATE	NO. PRTS	FOR