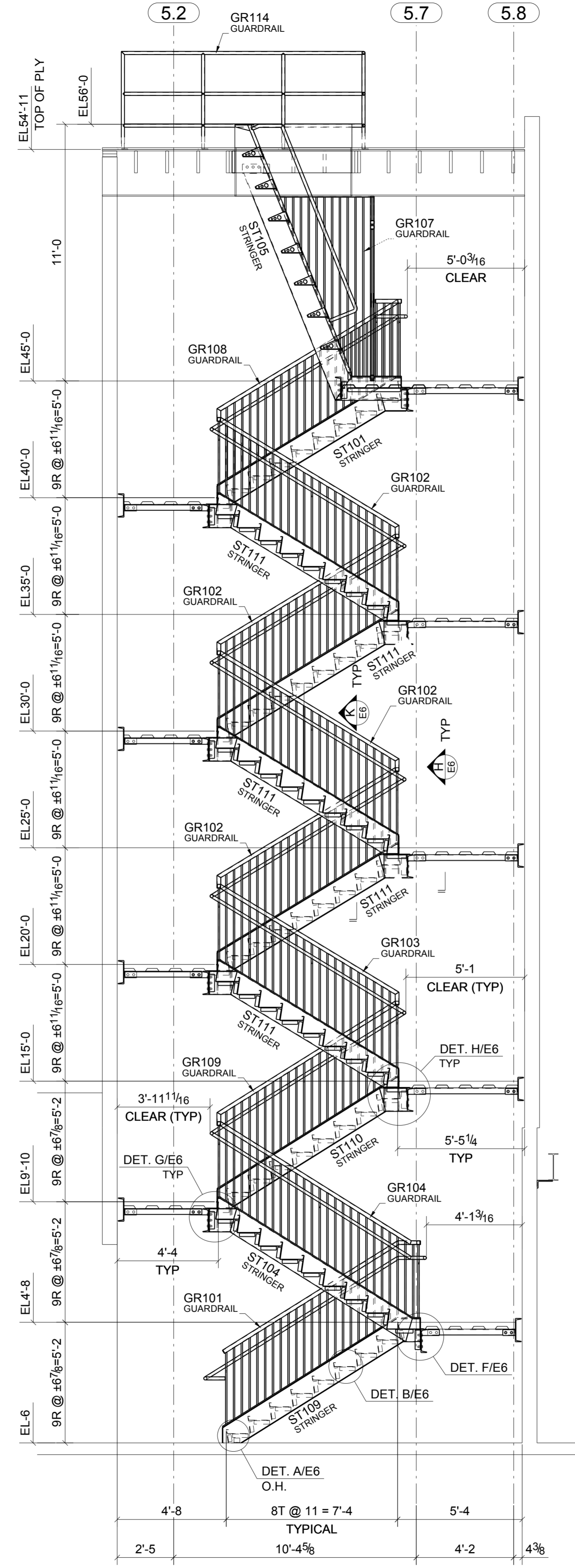
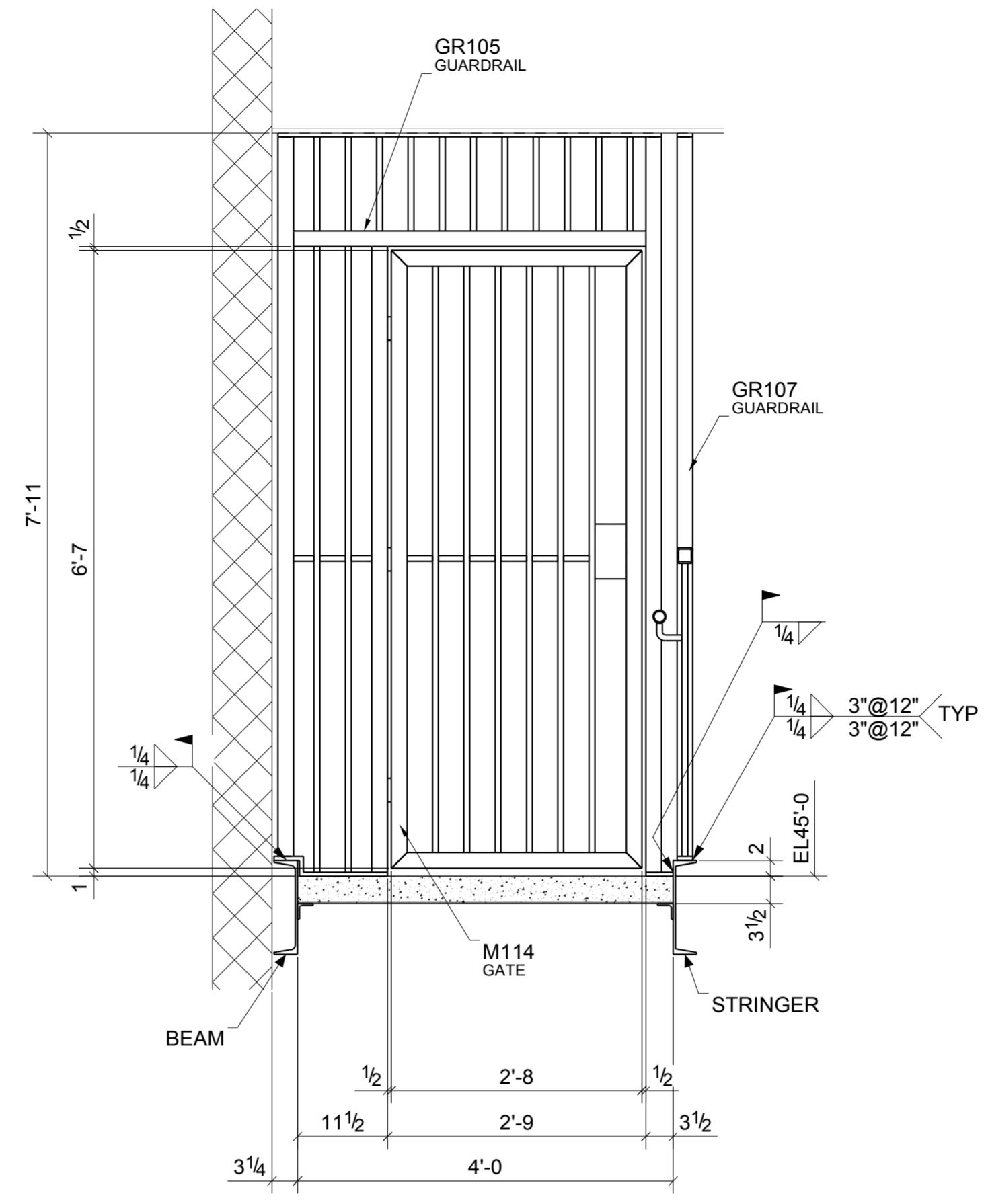


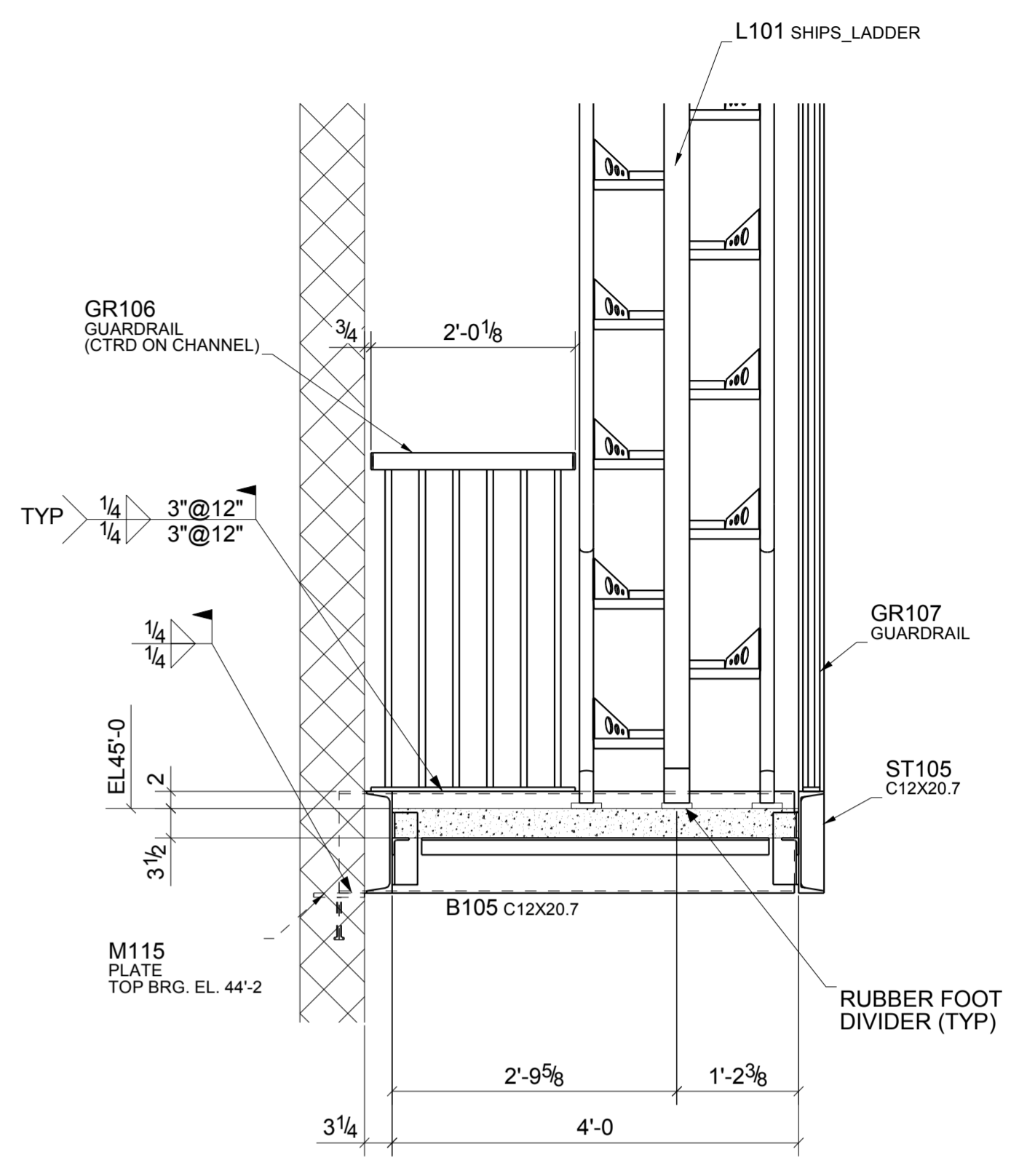
A ELEVATION



B ELEVATION



C SECTION



D SECTION