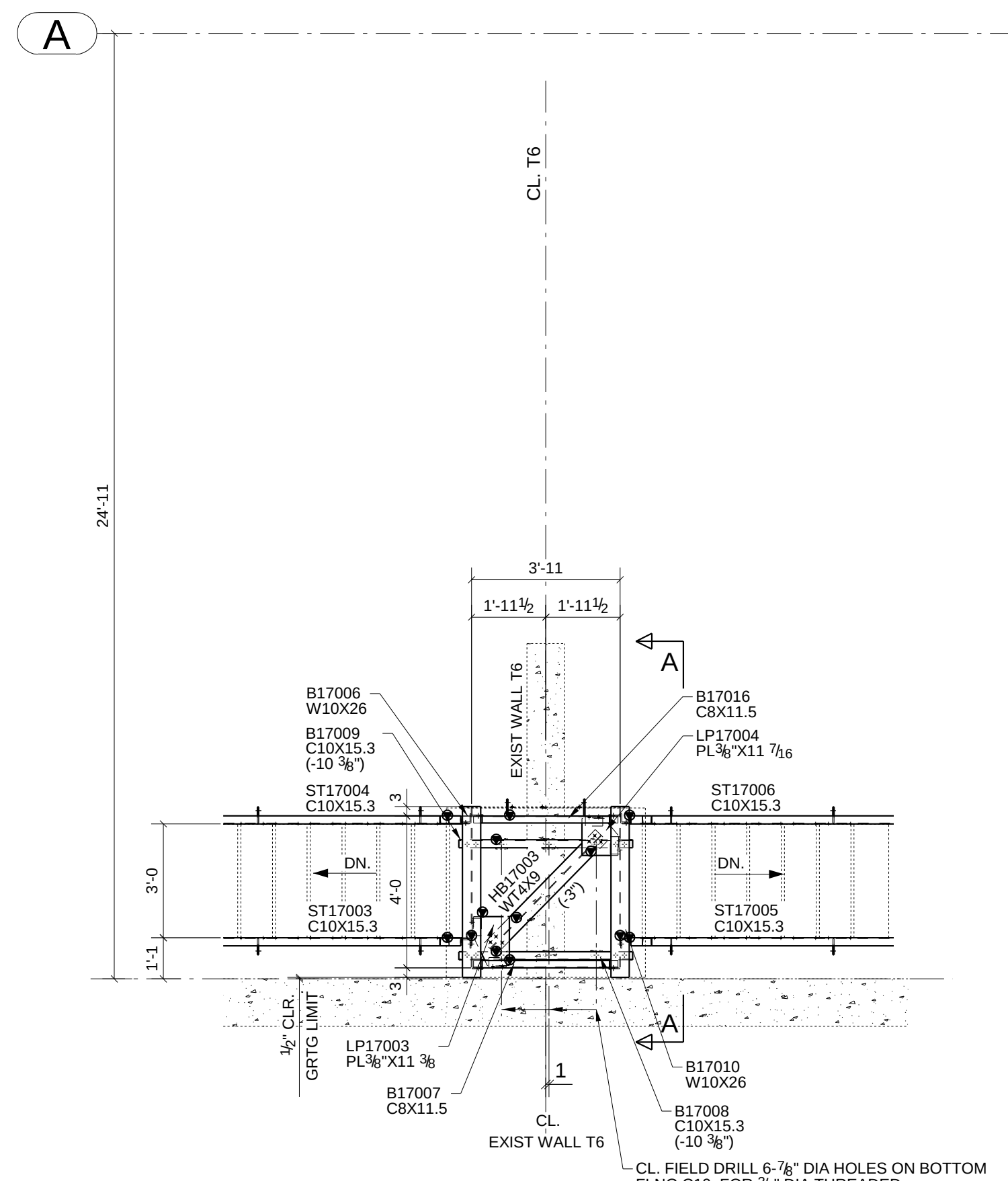
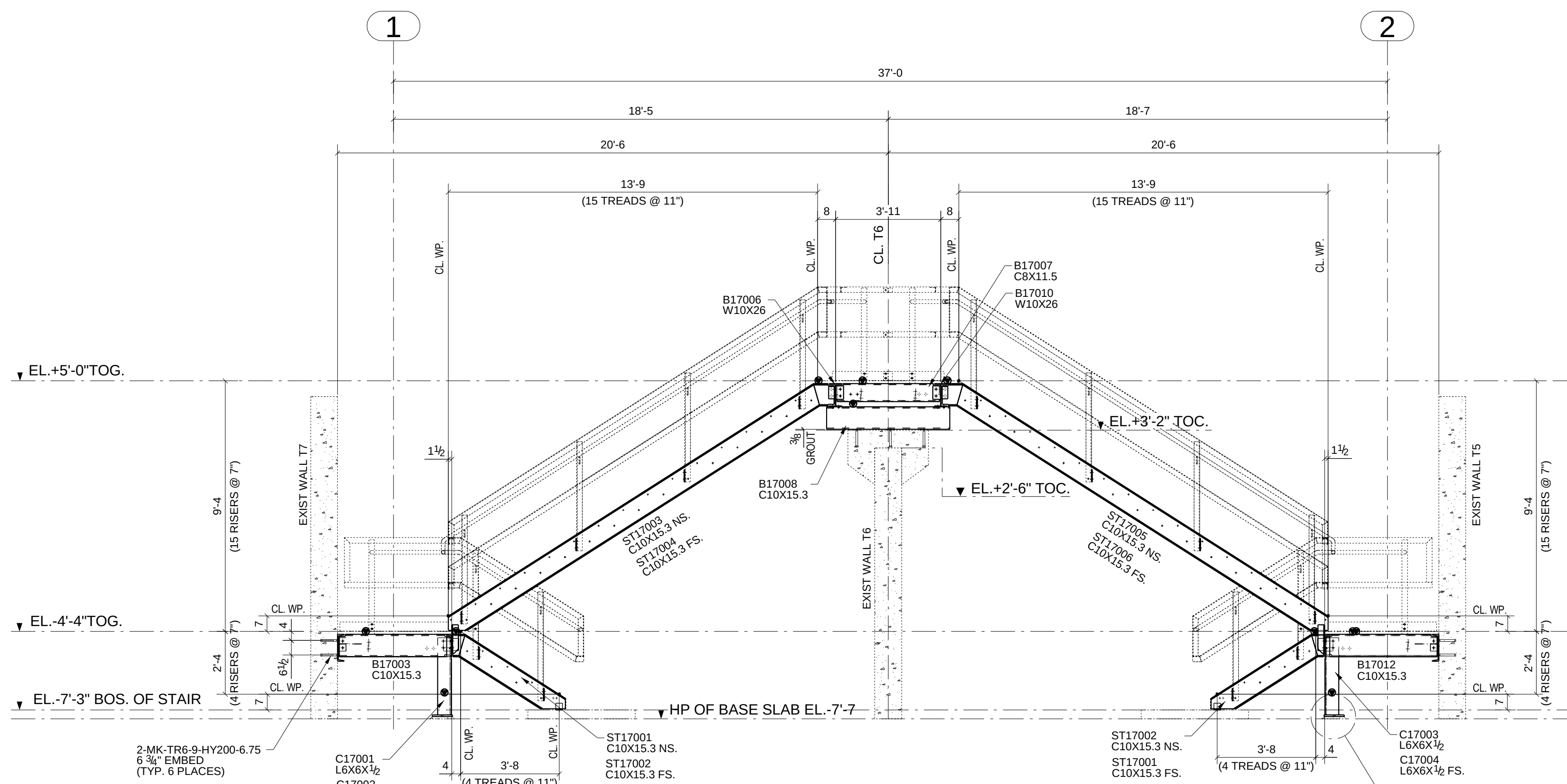


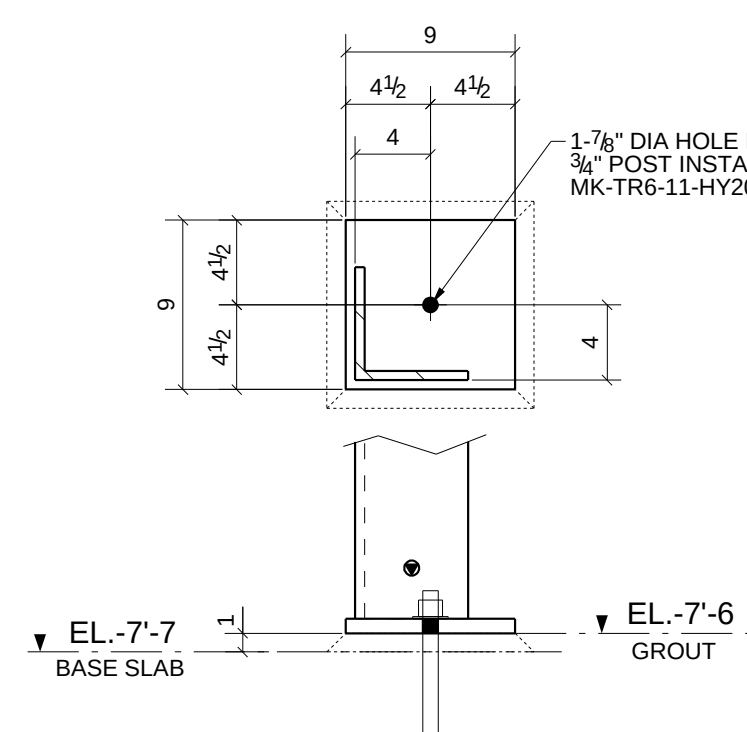
PLAN @ TOG. EL. -4'-5 1/4"(UN)
(TOG. EL. -4'-4")



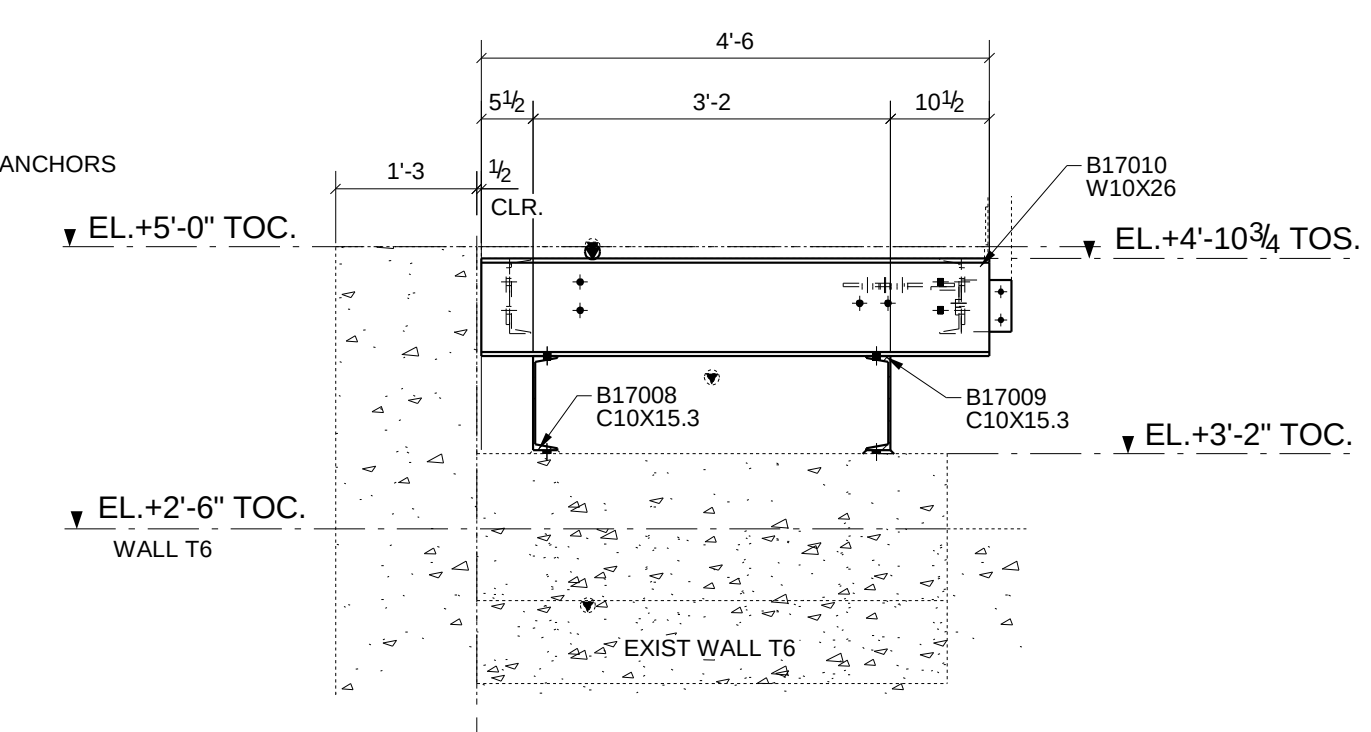
PLAN @ TOG. EL. 4'-10 3/4"(UN)
(TOG. EL. -5'-0")



STAIR ELEVATION
(LOOKING WEST)



DETAIL 1



A - A

REFERENCE DRAWING NO.D-1131-S-80378

| PRINT | | | RECORD | | |
|-------|----------|-----|--------|----------|-----|
| DATE | NO. PRTS | FOR | DATE | NO. PRTS | FOR |
| | | | | | |
| | | | | | |
| | | | | | |