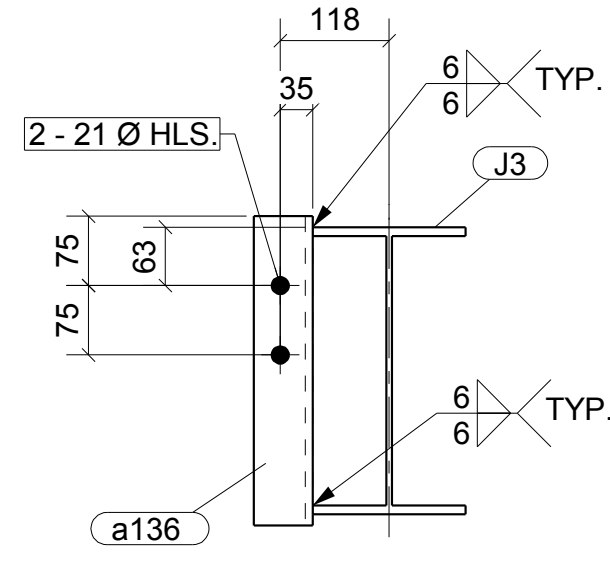
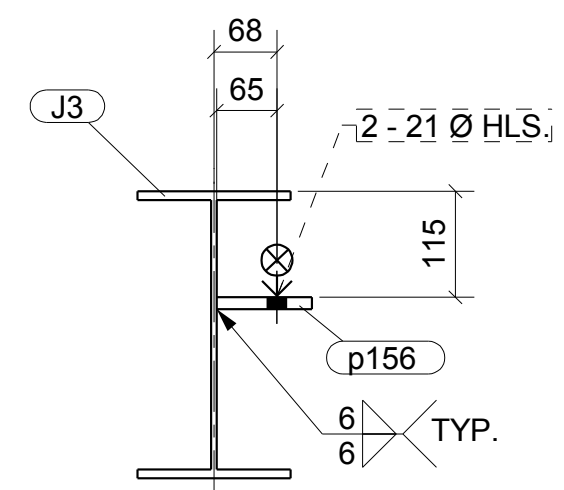


BILL OF MATERIAL

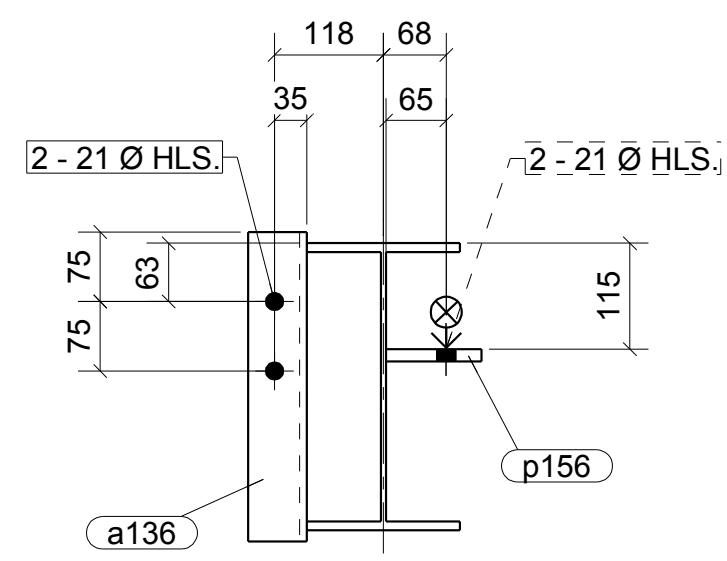
MARK	QTY	SECTION	LENGTH	WT	CAT
J3	1	FRAME			
J3	1	W310X39	350W	4955	
a36	1	L89X64X9.5	300W	225	
a136	3	L64X64X7.9	300W	334	
m326	1	HSS152X152X8.0	350W_CLASS_C	719	
m327	1	HSS152X152X8.0	350W_CLASS_C	1550	
p23	2	PL10X200	350W	200	
p123	2	PL6X152	350W	152	
p141	1	FB10X76	350W	163	
p156	5	PL13X103	350W	151	



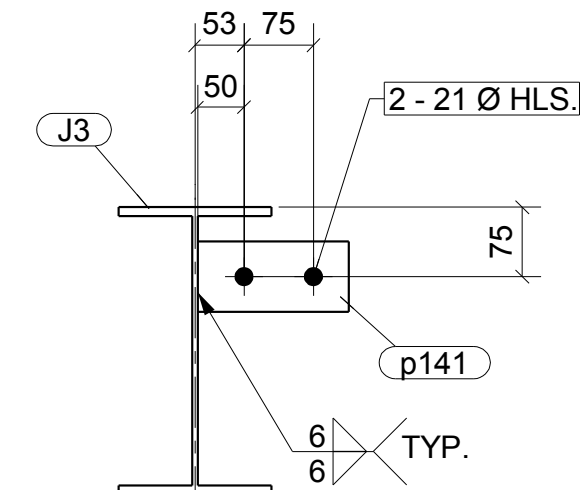
A - A



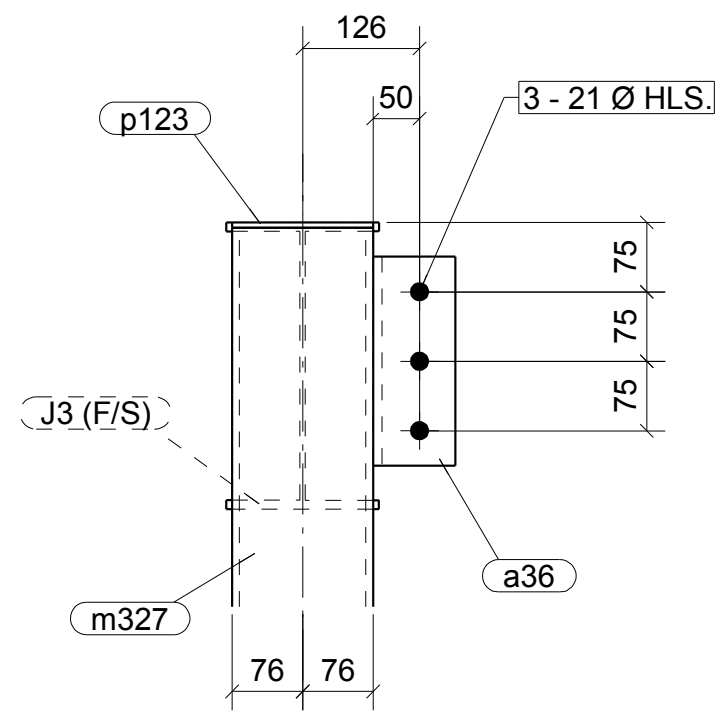
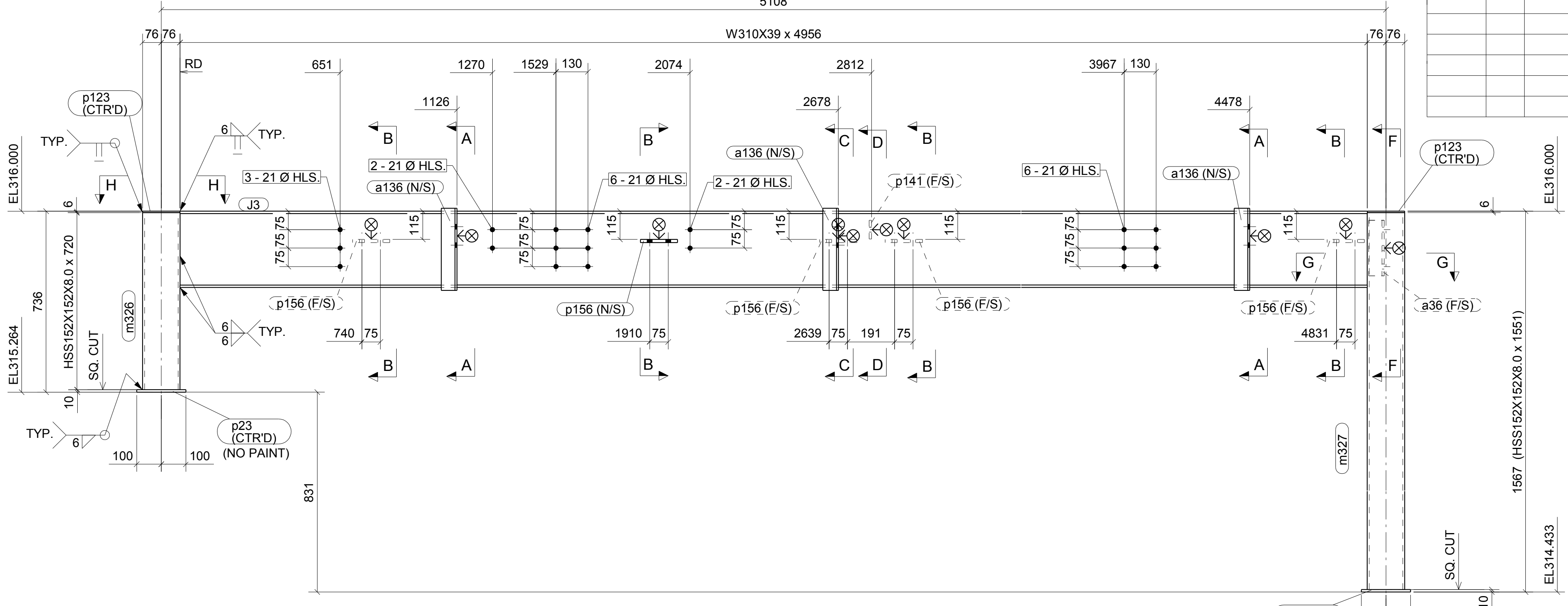
B - B



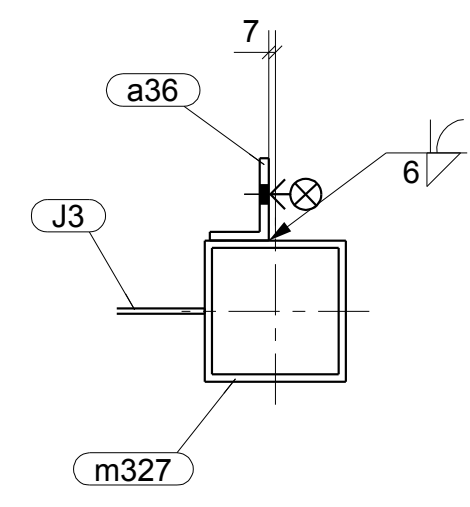
C - C



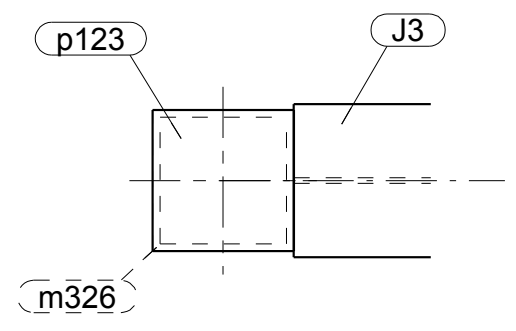
D - D



F - F



G - G



H - H

1 - FRAME - J3

INSPECTION STATUS	FITTING CREW LEADER	WELDING CREW LEADER	FINAL INSPECTION SHOP FOREMAN
	FITTER	WELDER	