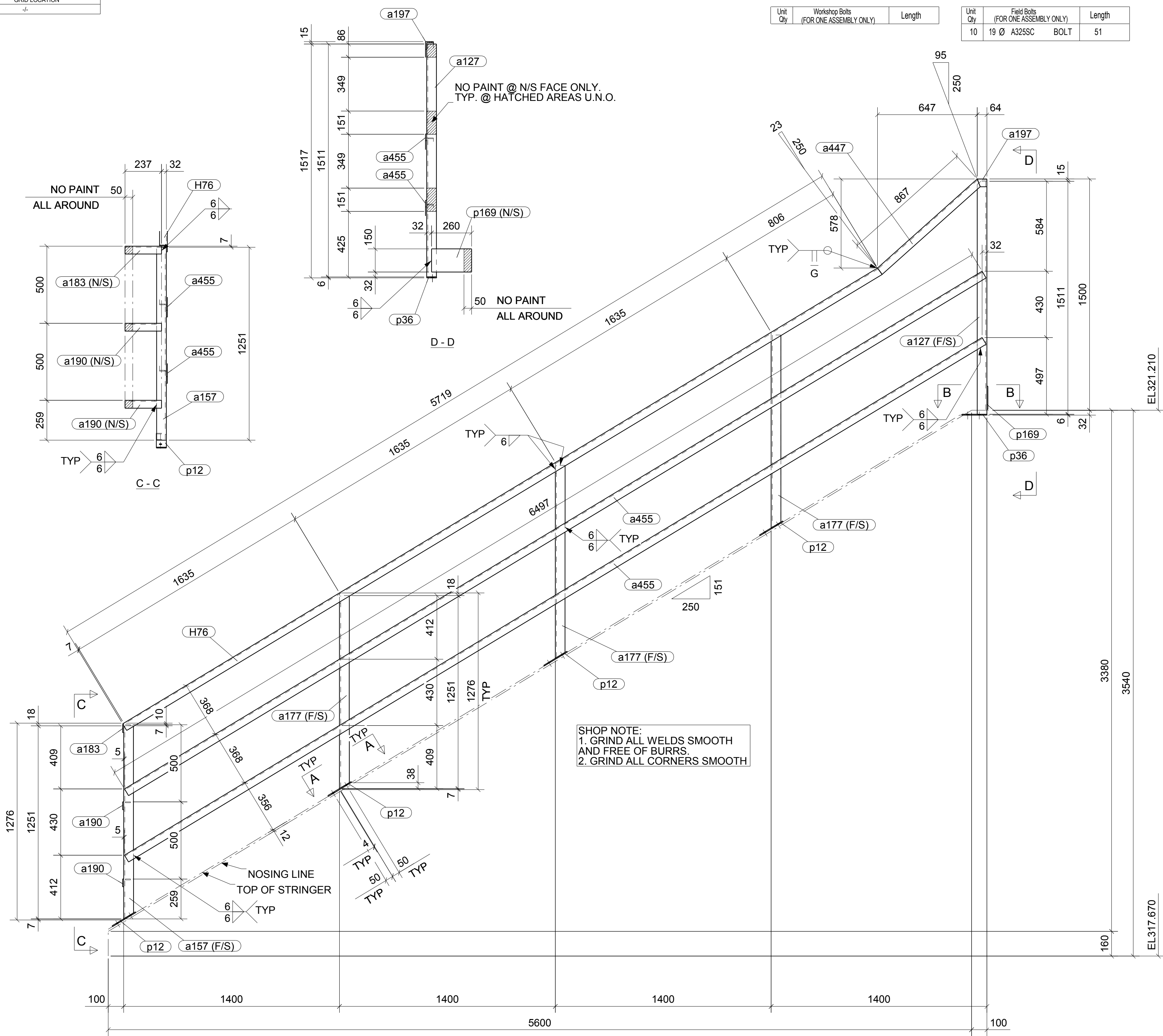


Unit Qty	Workshop Bolts (FOR ONE ASSEMBLY ONLY)	Length
10	19 Ø A325SS BOLT	51

Unit Qty	Field Bolts (FOR ONE ASSEMBLY ONLY)	Length
10	19 Ø A325SS BOLT	51

**BILL OF MATERIAL**

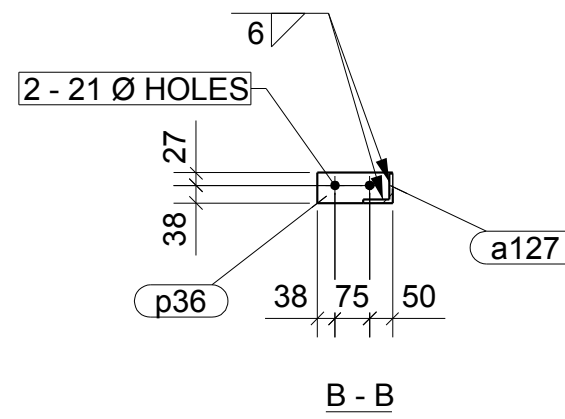
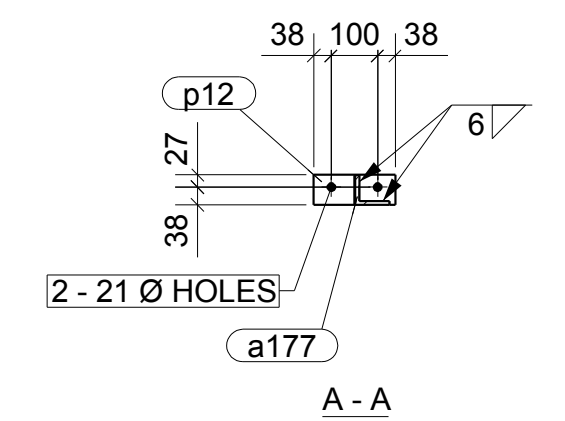
MARK	QTY	SECTION	LENGTH	WT	CAT
H76	1	HANDRAIL			
H76	1	L51X51X6.4	300W	5723	
a127	1	L64X64X7.9	300W	1511	
a157	1	L64X64X7.9	300W	1251	
a177	3	L64X64X7.9	300W	1251	
a183	1	L51X51X6.4	300W	236	
a190	2	L51X51X6.4	300W	236	
a197	1	L51X51X6.4	300W	63	
a447	1	L51X51X6.4	300W	872	
a455	2	L51X51X6.4	300W	6497	
p12	4	PL6X65	350W	176	
p36	1	PL6X65	350W	163	
p169	1	PL6X150	350W	260	



NO PAINT @ N/S FACE ONLY.  
TYP. @ HATCHED AREAS U.N.O.

NO PAINT ALL AROUND

SHOP NOTE:  
1. GRIND ALL WELDS SMOOTH AND FREE OF BURRS.  
2. GRIND ALL CORNERS SMOOTH



**1 - HANDRAIL - H76**

INSPECTION STATUS	FITTING CREW LEADER	WELDING CREW LEADER	FINAL INSPECTION SHOP FOREMAN
	FITTER	WELDER	

